

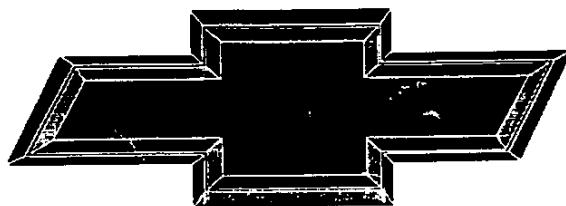
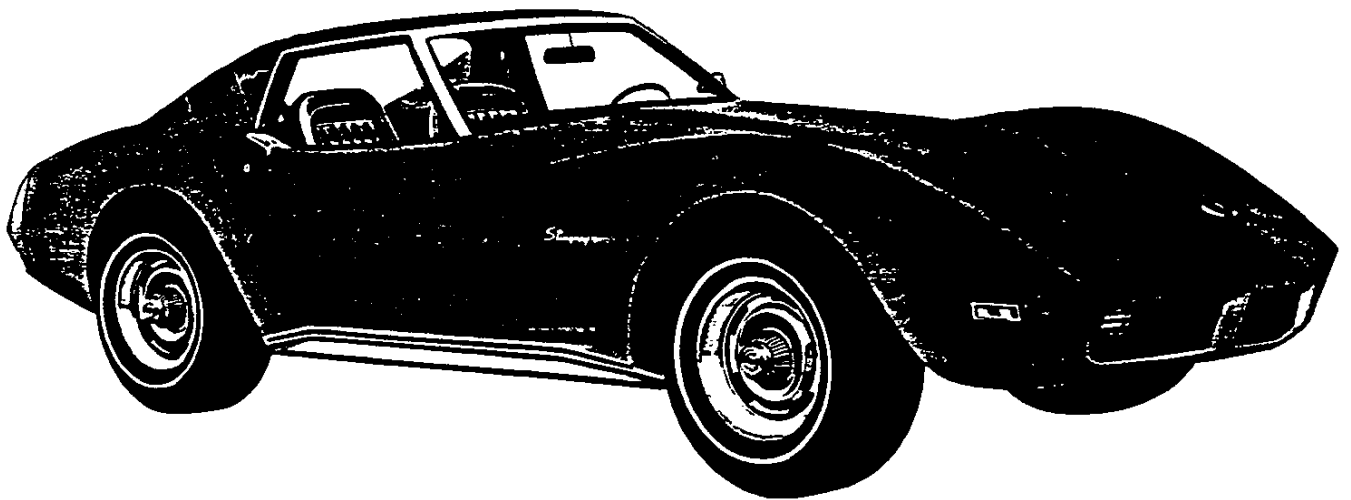




1975

CORVETTE

SPECIFICATIONS



GENUINE CHEVROLET™



.

.



The Corvette Black Book

1953-1993

October 1992

Published by
Michael Bruce Associates, Inc.
 Michael Antonick, President
 Post Office Box 396
 Powell, Ohio 43065



CONTENTS

Glossary 4	1965 Corvette 44	1981 Corvette 76
Instructions 6	1966 Corvette 46	1982 Corvette 78
Statistics 12	1967 Corvette 48	1984 Corvette 80
Chronology 14	1968 Corvette 50	1985 Corvette 82
1953 Corvette 20	1969 Corvette 52	1986 Corvette 84
1954 Corvette 22	1970 Corvette 54	1987 Corvette 86
1955 Corvette 24	1971 Corvette 56	1988 Corvette 88
1956 Corvette 26	1972 Corvette 58	1989 Corvette 90
1957 Corvette 28	1973 Corvette 60	1990 Corvette 92
1958 Corvette 30	1974 Corvette 62	1991 Corvette 94
1959 Corvette 32	1975 Corvette 64	1992 Corvette 96
1960 Corvette 34	1976 Corvette 66	1993 Corvette 98
1961 Corvette 36	1977 Corvette 68	Notes 100
1962 Corvette 38	1978 Corvette 70	Photos/Specs ... 104
1963 Corvette 40	1979 Corvette 72	Literature 124
1964 Corvette 42	1980 Corvette 74	Coupons 127

© Michael Bruce Associates, Inc., 1978, 1980, 1983, 1985, 1988, 1991, 1992. All rights reserved under Pan American and Universal Copyright Conventions by Michael Bruce Associates, Inc. Reproduction without permission is prohibited. Because of the possibility of errors, exceptions, or other reasons for inaccuracy, the publisher and author disclaim responsibility for the accuracy of any or all information presented in this publication.

Michael Bruce Associates, Inc. acknowledges with appreciation the following enthusiasts who contributed their expertise to this and previous editions of the *Corvette Black Book*: Noland Adams, Dan Aldridge, John Amgwert, Pat Baker, Jane Barthelme, Michele Boling, Kent Brooks, Barry Brown, David Burroughs, Steve Dangremond, Dr. M. F. Dobbins, Bob Eckles, the late Sam Folz, John Hibbert, Mike Hunt, Alan Kaplan, Paul Kitchen, Gary Konner, Ralph Kramer and staff, Jim Krughoff, Gary Lisk, Bill Locke, Bob Lojewski, Bob McDorman, Chip Miller, Bill Mock, Brian Pearce, John Poloney, Bill Rhodes, Jeffrey Smith, Mark & Dixie Smith, Lou Vitale, Jerry Wadsworth, Jerry Weichers and Don Williams. Thanks also to Callaway Engineering, to Mercury-Marine, and to the Chevrolet Motor Division of General Motors Corporation.

Notice: *The Corvette Black Book* and its publisher, Michael Bruce Associates, Inc. have no relationship or connection whatever with Hearst Business Media Corporation, its parent or affiliated corporations, or the *Black Book* published by National Auto Research Division of Hearst Business Media Corporation.

Michael Bruce Associates, Inc. and the *Corvette Black Book* are not associated with or sponsored by General Motors or its Chevrolet Motor Division.

Cover: Photo and design by Mike Antonick. 1963 Corvette owned by Bill Munzer; restored by Bill Munzer and Don Williams.

Printed and bound in the United States of America.

ISBN: 0-933534-35-3

BOOK TRADE DISTRIBUTION BY:

 Motorbooks International
 Publishers & Wholesalers Inc.
 Oxeola, Wisconsin 54020, USA

BLACK BOOK ORDER FORM

Send _____ copies of the

Corvette Black Book 1953-1993

@ \$11.95 each \$ _____

Ohio residents add .72 sales tax _____

Postage/hard shipping container **3.00**

Check or money order enclosed \$ _____

Name _____

Street _____

City _____ State _____ Zip _____

Mail Order To: **Michael Bruce Associates, Inc.**
 Post Office Box 396
 Powell, Ohio 43065



BLACK BOOK ORDER FORM

Send _____ copies of the

Corvette Black Book 1953-1993

@ \$11.95 each \$ _____

Ohio residents add .72 sales tax _____

Postage/hard shipping container **3.00**

Check or money order enclosed \$ _____

Name _____

Street _____

City _____ State _____ Zip _____

Mail Order To: **Michael Bruce Associates, Inc.**
 Post Office Box 396
 Powell, Ohio 43065



.

.



1975 CORVETTE

Production: 33,836 coupe, 4,629 convertible, 38,465 total

1975 NUMBERS

Vehicle: 1Z37J5S400001 through 1Z37J5S438465

- For convertibles, third digit is a 6.
- Fifth digit varies as follows: J=350ci, 165hp
T=350ci, 205hp

Suffix: CHA: 350ci, 165hp, mt CRK: 350ci, 165hp, at
CHB: 350ci, 165hp, at CRL: 350ci, 205hp, mt
CHC: 350ci, 205hp, mt CRM: 350ci, 205hp, at
CHR: 350ci, 205hp, at, ce CUA: 350ci, 165hp, mt
CHU: 350ci, 165hp, mt CUB: 350ci, 165hp, mt
CHZ: 350ci, 165hp, at, ce CUD: 350ci, 205hp, mt
CKC: 350ci, 205hp, at, CUT: 350ci, 205hp, mt
CRJ: 350ci, 165hp, mt

Block: 3970010: 350ci, 165hp, 205hp

Head: 333882: 350ci, 165hp, 205hp

Carburetor: Rochester Q-jet #7045210: 350ci, 205hp, at
Rochester Q-jet #7045211: 350ci, 205hp, mt
Rochester Q-jet #7045222: 350ci, 165hp, at
Rochester Q-jet #7045223: 350ci, 165hp, mt

Distributor: 1112880: 350ci, 165hp, ce 1112888: 350ci, 165hp
1112883: 350ci, 205hp 1112979: 350ci, 205hp, sd

Alternator: 1100544: With ac 1102474: With ac, lp
1100950: Without ac 1102484: Without ac, lp

Ending Vehicle: Oct 74: 02385 Feb 75: 17112 Jun 75: 33474
Nov 74: 06180 Mar 75: 20856 Jul 75: 38465
Dec 74: 09190 Apr 75: 25228
Jan 75: 13159 May 75: 29379

Abbreviations: ac=air conditioning, at=automatic transmission,
ce=california emissions, ci=cubic inch, hp=horsepower, lp=late
production, mt=manual transmission.

1975 FACTS

- The 1975 convertible was for a time considered the "last," but convertible production resumed in 1986. The last 1975 convertible was built during the last week of July, 1975.
- Catalytic converters first appeared in Corvettes with the 1975 model. Dual exhausts were routed to a single converter, then split for dual exit.
- Soft bumpers were redesigned structurally for 1975, and external appearance varied slightly from the previous year. The front bumper had an inner honeycomb core and simulated "pads" on the exterior. The rear bumper had inner shock absorbers for impact. The rear bumper skin was one-piece, unlike the two-piece 1974 unit. Simulated pads like those of the front were also added to the rear.
- High Energy Ignition (HEI) appeared first in Corvettes in 1975 models. Quite different from the transistor ignitions previously available, HEI included the Corvette's first no-points distributor. The HEI system's new type of distributor required the tachometer to be electronically driven.
- Optional engine choice for 1975 (one) was the lowest since 1955. And it was the first year since 1964 that only one displacement was offered.
- Hood emblems designating the L82 engine first appeared in 1975.
- Kilometer-per-hour subfaces appeared on Corvette's speedometers first in 1975; it was also the first year with a headlight-warning buzzer.

1975 OPTIONS

RPO #	DESCRIPTION	QTY	RETAIL \$
1YZ37	Base Corvette Sport-Coupe	33,836	\$6,810.10
1YZ67	Base Corvette Convertible	4,629	6,550.10
—	Custom Interior Trim	—	154.00
A31	Power Windows	28,745	93.00
A85	Custom Shoulder Belts (std with coupe)	646	41.00
C07	Auxiliary Hardtop (for convertible)	2,407	267.00
C08	Vinyl Covered Auxiliary Hardtop (conv)	279	350.00
C50	Rear Window Defroster	13,760	46.00
C60	Air Conditioning	31,914	490.00
FE7	Gymkhana Suspension	3,194	7.00
—	Optional Rear Axle Ratios	1,969	12.00
J50	Power Brakes	35,842	50.00
L82	350ci, 205hp Engine	2,372	336.00
M21	4-Speed Manual Trans, close ratio	1,057	0.00
M40	Turbo Hydra-Matic Automatic Transmission ...	28,473	0.00
N37	Tilt-Telescopic Steering Column	31,830	82.00
N41	Power Steering	37,591	129.00
QRM	White Stripe Steel Belted Tires, GR70x15 ...	5,233	35.00
QRZ	White Letter Steel Belted Tires, GR70x15 ..	30,407	48.00
U05	Dual Horns	22,011	4.00
U58	AM-FM Radio, stereo	24,701	284.00
U69	AM-FM Radio	12,902	178.00
UA1	Heavy Duty Battery	16,778	15.00
UF1	Map Light (on rearview mirror)	21,676	5.00
YF5	California Emission Test	3,037	20.00
Z07	Off Road Suspension and Brake Package	144	400.00

• A 350ci, 165hp engine, 4-speed wide-ratio manual transmission, soft top (conv) or T-tops (cpe), and vinyl interior were included in the base price.

• Custom interior included leather seat trim, wood-grain accents and lower carpet trim on inner door panels, wood-grain accents on console, and special cut-pile carpeting.

• The Z07 package was available only with L82 engines and required M21 transmission. It included special front and rear suspension and heavy-duty front and rear power brakes.

• The FE7 gymkhana suspension included stiffer front sway bar and stiffer springs. It was included with Z07. There were no engine or transmission order restrictions with FE7.

• M40 was no cost with the base 350ci, 165hp engine, but cost \$120.00 with optional L82 engine. M21 was no cost but required optional L82.

1975 COLORS

CODE	EXTERIOR	QTY	SOFT TOP	INTERIORS
10	Classic White	8,007	Bk-W	Bk-Db-Dr-Ms-N-Si
13	Silver	4,710	Bk-W	Bk-Db-Dr-Ms-Si
22	Bright Blue	2,869	Bk-W	Bk-Db-Si
27	Steel Blue	1,268	Bk-W	Bk-Db-Si
42	Bright Green	1,664	Bk-W	Bk-Ms-N-Si
56	Bright Yellow	2,883	Bk-W	Bk-Ms-N
67	Medium Saddle	3,403	Bk-W	Bk-Ms-N
70	Orange Flame	3,030	Bk-W	Bk-Ms-N
74	Dark Red	3,342	Bk-W	Bk-Dr-Ms-N-Si
76	Mille Miglia Red	3,355	Bk-W	Bk-Dr-Ms-N-Si

• Suggested interiors shown. Additional combinations were possible.

• Paint quantities do not add to total production because additional units had non-standard paint, or primer only.

• All 1975 wheels were painted silver.

• Steel Blue exterior was available for approximately three months.

Interior Codes: 19V=Bk/V, 192=Bk/L, 14V=Si/V, 142=Si/L, 26V=Db/V, 262=Db/L, 60V=N/V, 65V=Ms/V, 652=Ms/L, 73V=Dr/V, 732=Dr/L.

Abbreviations: Bk=Black, Db=Dark Blue, Dr=Dark Red, L=Leather, Ms=Medium Saddle, N=Neutral, Si=Saddle, V=Vinyl, W=White.

SECTION 0
GENERAL INFORMATION AND LUBRICATION
CONTENTS OF THIS SECTION

General Information 0-1
 Lubrication 0-12

GENERAL INFORMATION

Model Identification	0-1	Vehicle Identification Number	0-4
Vehicle Dimensions (Except Corvette)	0-2	Keys and Locks	0-3
Corvette Vehicle Dimensions	0-3	Pushing to Start Engine	0-3
Unit and Serial Numbers	0-3	Towing Vehicles	0-5
Engine and Transmission Number (V.I.N.)	0-3	Lifting Vehicles	0-6
Number Locations	0-4		

MODEL IDENTIFICATION

CAR LINE	SERIES NAME	BODY STYLE	MODEL DESIGNATION	PASS. OR SEATS
CHEVROLET	Bel Air	4-Dr. Sedan	1BK69	6
		4-Dr. Station Wagon	1BK35	2-Seat
		4-Dr. Station Wagon	1BK45	3-Seat
	Impala	4-Dr. Sedan	1BL69	6
		4-Dr. Sport Sedan	1BL39	6
		2-Dr. Sport Coupe	1BL57	6
		2-Dr. Custom Coupe	1BL47	6
		4-Dr. Station Wagon	1BL35	2-Seat
		4-Dr. Station Wagon	1BL45	3-Seat
		4-Dr. Sedan	1BN69	6
	Caprice Classic	2-Dr. Sport Coupe	1BN47	6
		4-Dr. Sport Sedan	1BN39	6
		2-Dr. Convertible	1BN67	6
	Caprice Estate	4-Dr. Station Wagon	1BN35	2-Seat
4-Dr. Station Wagon		1BN45	3-Seat	
CHEVELLE	Malibu	4-Dr. Sport Sedan	1AC29	6
		2-Dr. Sport Coupe	1AC37	6
		4-Dr. Station Wagon	1AC35	2-Seat*
	Malibu Classic	4-Dr. Sport Sedan	1AD29	6
		2-Dr. Sport Coupe	1AD37	6
	4-Dr. Station Wagon	1AD35	2-Seat*	
	Malibu Classic Estate	4-Dr. Station Wagon	1AG35	2-Seat*
	El Camino	2-Dr. Pickup Delivery	1AC80	3
	El Camino Classic	2-Dr. Pickup Delivery	1AD80	3
	MONTE CARLO	Monte Carlo S	2-Dr. Sport Coupe	1AH57
NOVA	Nova	4-Dr. Sedan	1XX69	6
		2-Dr. Coupe	1XX27	6
		2-Dr. Hatchback Coupe	1XX17	6
	Nova Custom	4-Dr. Sedan	1XY69	6
		2-Dr. Coupe	1XY27	6
2-Dr. Hatchback Coupe	1XY17	6		
CAMARO	Camaro	2-Dr. Sport Coupe	1FQ87	4
	Camaro "Type LT"	2-Dr. Sport Coupe	1FS87	4
CORVETTE	Corvette	2-Dr. Sport Coupe	1YZ37	2
		2-Dr. Convertible	1YZ67	2

*Third seat available as RPO on V-8 equipped station wagon

VEHICLE DIMENSIONS BEL AIR, IMPALA, CAPRICE CLASSIC, CAPRICE ESTATE

Model	Sedan	2-Door Sport Coupe	Convertible Coupe	Station Wagon
Length Overall	222.7"	222.6"	222.6"	228.4"
Width Overall (Body)	79.5"	79.5"	79.5"	79.5"
Height Overall	54.5"	53.7"	53.5"	57.4"
Wheelbase	121.5"	121.5"	121.5"	125.0"
Tread-Front	64.1"	64.1"	64.1"	64.1"
Tread-Rear	64.0"	64.0"	64.0"	64.0"
Curb Weight: Approximately 4324 lbs. 4-Door Sedan.				

MALIBU, MALIBU CLASSIC, MALIBU CLASSIC ESTATE, EL CAMINO

Model	Sedan	2-Door Sport Coupe	Station Wagon	Sedan Pickup
Length Overall	210.3"	205.3"	215.2"	213.4"
Width Overall (Body)	76.6"	76.6"	76.6"	76.6"
Height Overall	53.8"	53.1"	55.7"	55.2"
Wheelbase	116.0"	112.0"	116.0"	116.0"
Tread-Front	61.5"	61.5"	61.5"	59.3**
Tread-Rear	60.7"	60.7"	60.7"	59.2**
Curb Weight: Approximately 3850 lbs. 4-Door Sedan with L-6 Engine 3905 lbs. with V-8 Engine.				

MONTE CARLO

CAMARO

NOVA

Model	2-Door Sport Coupe	Model	2-Door Sport Coupe	Model	4-Door Sedan	2-Door Sport Coupe
Length Overall	213.1"	Length Overall	195.4"	Length Overall	196.6"	196.6"
Width Overall (Body)	77.6"	Width Overall (Body)	74.4"	Width Overall (Body)	72.4"	72.4"
Height Overall	52.7"	Height Overall	49.1"	Height Overall	53.9"	52.5"
Wheelbase	116.0"	Wheelbase	108.0"	Wheelbase	111.0"	111.0"
Tread-Front	61.9"	Tread-Front	61.3"	Tread-Front	59.8"	59.8"
Tread-Rear	60.7"	Tread-Rear	60.0"	Tread-Rear	59.6"	59.6"
Weight: Coupe 4087 lbs.		Weight: With L6 Eng. 3478 lbs. With V-8 Eng. 3733 lbs.		Curb Weight: Approximately 3300 lbs. 4 Dr. Sedan with L-6 Engine; 3405 lbs. with V-8 Engine.		

VEHICLE DIMENSIONS—CORVETTE

Model	Convertible	Sport Coupe
Length Overall	185.2"	
Width Overall (Body) . . .	69.0"	
Height Overall	47.8"	47.7"
Wheelbase	98.0"	
Tread-Front	58.7"	
Tread-Rear	59.5"	
Curb Weight: 3539 lbs. Convertible 3525 lbs. Sport Coupe with Base V-8		

SERIAL NUMBERS

For the convenience of servicemen when writing up certain business papers, such as Warranty Claims Product Information Reports, or reporting product failures in any way, we are showing on a chart, the location of various unit numbers. These unit numbers and their prefixes and suffixes are necessary on these papers for various reasons—such as accounting, follow-up on productions, etc.

The prefixes on certain units identify the plant in which the unit was manufactured, and thereby permits proper follow-up of the plant involved to get corrections made when necessary.

ENGINE AND TRANSMISSION NUMBER

The Vehicle Identification Number is stamped on the engine and transmission of each vehicle (see chart for location).

At multi-car plants where more than one Chevrolet series is produced, the VIN sequence numbers will be staggered to eliminate duplication of component identification numbers.

KEYS AND LOCKS

Four keys (two rectangular head and two oval head) are provided with each vehicle. The rectangular head key operates the ignition switch only. The oval-head key operates all other locks and arms the anti-theft alarm on Corvette).

PUSHING, TO START ENGINE

CAUTION: *Vehicle must not be pushed or towed to start.*

Manufacturer Identity	Series Code Letter	Body Style	Engine Model	Model Year	Assembly Plant	Unit Number
①	②	③	④	⑤	⑥	⑦
1	H	57	H	5	B	100025

1. Manufacturer's identity number assigned to all Chevrolet built vehicles.
2. Series (See Model Identification in this section.)
3. Body Style (See Model Identification in this section.)
4. Engine Code (See Table 1).
5. Last number of model year (1975).
6. B - Baltimore.
7. Unit numbering will start at 000001 or 100001 depending on the Vehicle.

0-4 GENERAL INFORMATION AND LUBRICATION

ENGINE CODE LETTER	DISPLACEMENT CU. IN.	TYPE	CARBURETOR
D	250	L-6	1-BBL
G	262	V-8	2-BBL
H	350	V-8	2-BBL
J	350	V-8	4-BBL (DUAL EXH.)
L	350	V-8	2-BBL
T	350	V-8	4-BBL (DUAL EXH.)
U	400	V-8	4-BBL
Y	454	V-8	4-BBL (DUAL EXH.)
Z	454	V-8	4-BBL (DUAL EXH.)

VEHICLE COMPONENT SERIAL AND UNIT NUMBER LOCATION

Component	Model	Location
Vehicle Identification Number Plate	All except Corvette Corvette	Top of instrument panel left, front Inside left windshield pillar
Body Number, Trim and Paint Plate	1B000 1A000 1X000 1F000 1Y000	Upper right-hand side of dash panel Upper left-hand side of dash panel Upper left-hand side of dash panel Upper left-hand side of dash panel Upper left-hand door hinge pillar
Engine Transmission Identification Code	6 Cylinder 8 Cylinder 3-Speed (Muncie) 4-Speed (Muncie) 3-4 Speed (Saginaw) Turbo Hydra-Matic 250, 350 Turbo Hydra-Matic 375 400	On pad at right-hand side of cylinder block at rear of distributor On pad at front, right-hand side of cylinder block On boss above filler plug On right side of case at lower rear of cover flange On lower right side of case adjacent to rear of cover Right vertical surface of oil pan On blue tag right side of transmission
Vehicle Identification Number	Turbo Hydra-Matic 250 Turbo Hydra-Matic 350 Turbo Hydra-Matic 375 400 6 and 8 Cylinder Engines	On boss lower right side of converter housing On boss left side to rear of manual control lever Same as engine identification code
Rear Axle Number	All except Corvette Corvette	On right or left axle tube adjacent to carrier On bottom surface of carrier at cover mounting flange
Delcotron	All	On top drive end frame
Starter	All	Stamped on outer case, toward rear
Battery	All	On cell cover segment, top of battery

AUTOMATIC TRANSMISSION

Do not attempt to start the engine by pushing the car. Should the battery become discharged, it will be necessary to use an auxiliary battery with jumper cables to start the engine.

Jump Starting with Auxiliary (Booster) Battery

CAUTION: *The following jump start procedure is for use only under the following conditions. Departures from these conditions and procedures, could result in: (1) serious personal injury (particularly to eyes) or property damage from such things as battery acid or electrical burns, or (2) damage to electronic components in either vehicle. If all the conditions cannot be met, or if you are uncertain about them, we strongly recommend for your safety and that of your car that you leave the starting to a competent mechanic.*

- The battery in the other vehicle must be of the same nominal voltage, (12 volts), and must be negatively grounded. (All General Motors cars, light trucks (10,000 GVWR and under), and motor homes use 12-volt, negatively grounded electrical systems and can be used to jump start one another.) The nominal voltage and grounding of the vehicle's battery may be determined by checking the specifications in its owner's manual. Use of a booster battery of a higher nominal voltage, or which is positively grounded may result in serious personal injury or property damage.

CAUTION: *Never expose battery to open flame or electric spark—battery action generates hydrogen gas which is flammable and explosive. Don't allow battery fluid to contact eyes, skin, fabrics, or painted surfaces—fluid is a corrosive sulfuric acid solution which could cause serious personal injury or property damage. Flush any contacted area immediately with water. Wear eye protection such as industrial safety spectacles or goggles when working on or near battery. Remove rings, metal watch bands and other metal jewelry before jump starting or working around a battery. Be careful in using metal tools and equipment. If such metal should contact the positive battery terminal (or metal in contact with it) and any other metal on the car, a short circuit may occur which could cause personal injury. Batteries and acid should always be kept out of reach of children.*

- The battery in your car must be a Delco battery (the original, or a replacement) which is equipped with flame arrestor type filler/vent caps on all filler openings, or a sealed-type battery which does not

have filler openings or caps. Each flame arrestor cap contains a grey disc rather than a small hole. To help avoid serious personal injury or property damage, this jump start procedure should not be used if one or more of the flame arrestor caps is missing, or if they are not present on a replacement battery. If your car contains a replacement battery other than a Delco, refer to jump starting instructions provided by the manufacturer of the other battery).

Jump Start Procedure:

1. Position the two vehicles so they are NOT touching. Set parking brake and place automatic transmission in "PARK" (neutral for manual transmission) in each vehicle. Also turn off lights, heater and all other unnecessary electrical loads.
2. Remove the vent caps from the battery in the other car (unless it also is equipped with Delco flame arrestor caps). Lay a cloth over the open vent wells. These two actions help reduce the explosion hazard always present in a battery when connecting "live" booster batteries to "dead" batteries. For safety's sake, do not remove any of the flame arrestor vent caps from a Delco battery.
3. Attach one end of one jumper cable to the positive terminal (identified by a red color, "+" or "P" on the battery case, post or clamp) of the battery in the other vehicle, and the other end of the same cable to the positive terminal of your battery.
4. Attach one end of the remaining jumper cable FIRST to the negative terminal (black color, "-" or "N") of the battery in the other vehicle, and THEN the other end of the same cable to the negative terminal of your battery in this car. Take care that clamps from one cable do not inadvertently touch the clamps on the other cable. Do not lean over the battery when making this connection.
5. Start the engine in the vehicle that is providing the jump start (if it was not running). Let run a few minutes, then start the engine in the car with the discharged battery.
6. Reverse the above sequence exactly when removing the jumper cables. Reinstall vent caps and dispose in a safe manner of any cloths used to cover vent wells, as the cloths may have corrosive acid on them.

TOWING VEHICLES

The car may be towed safely on its rear wheels with the (selector lever in "N" (Neutral) position at speeds of 35 miles per hour or less under most conditions.

However, the drive shaft must be disconnected or the car towed on its front wheels if 1) Tow speeds in excess of 35 MPH are necessary. 2) Car must be towed for extended

0-6 GENERAL INFORMATION AND LUBRICATION

distances (over 50 miles) or, 3) Transmission is not operating properly. If car is towed on its front wheels, the steering wheel should be secured to maintain a straight ahead position.

LIFTING VEHICLES

CAUTION: *When jacking or lifting vehicle from frame side rails, be certain lift pads do not contact catalytic converter as damage to converter will result.*

Many dealer service facilities and service stations are now equipped with a type of automotive hoist which must bear upon some part of the frame in order to lift the vehicle. In Figures 1 through 5 the shaded areas indicate areas recommended for hoist contact.

NOTE: The vehicle should never be lifted by the rear lower control arms.

LIFTING THE CORVETTE

Shaded areas in Figure 5 indicate recommended points

for hoist or jack contact. When using a single post hoist place hoist on frame side rail behind kickup at front and forward of #3 body mount at rear. When using a twinpost hoist, two methods are recommended.

- a. If no rear axle or suspension work is contemplated, use either suspension adapters or drive-on adapters at the front, and drive-in adapters at the rear. If a need for axle work develops, use jack stands beneath the frame side rails on each side and lower rear post.
- b. If rear axle work is contemplated, use either suspension adapters or drive-on adapters at the front and frame lift adapters as shown in Figure 6. If frame lift adapters are not available, use jack stands.

NOTE: Wooden blocks, bolted to a steel beam shown in Figure 6 are necessary to allow beam to clear exhaust system.

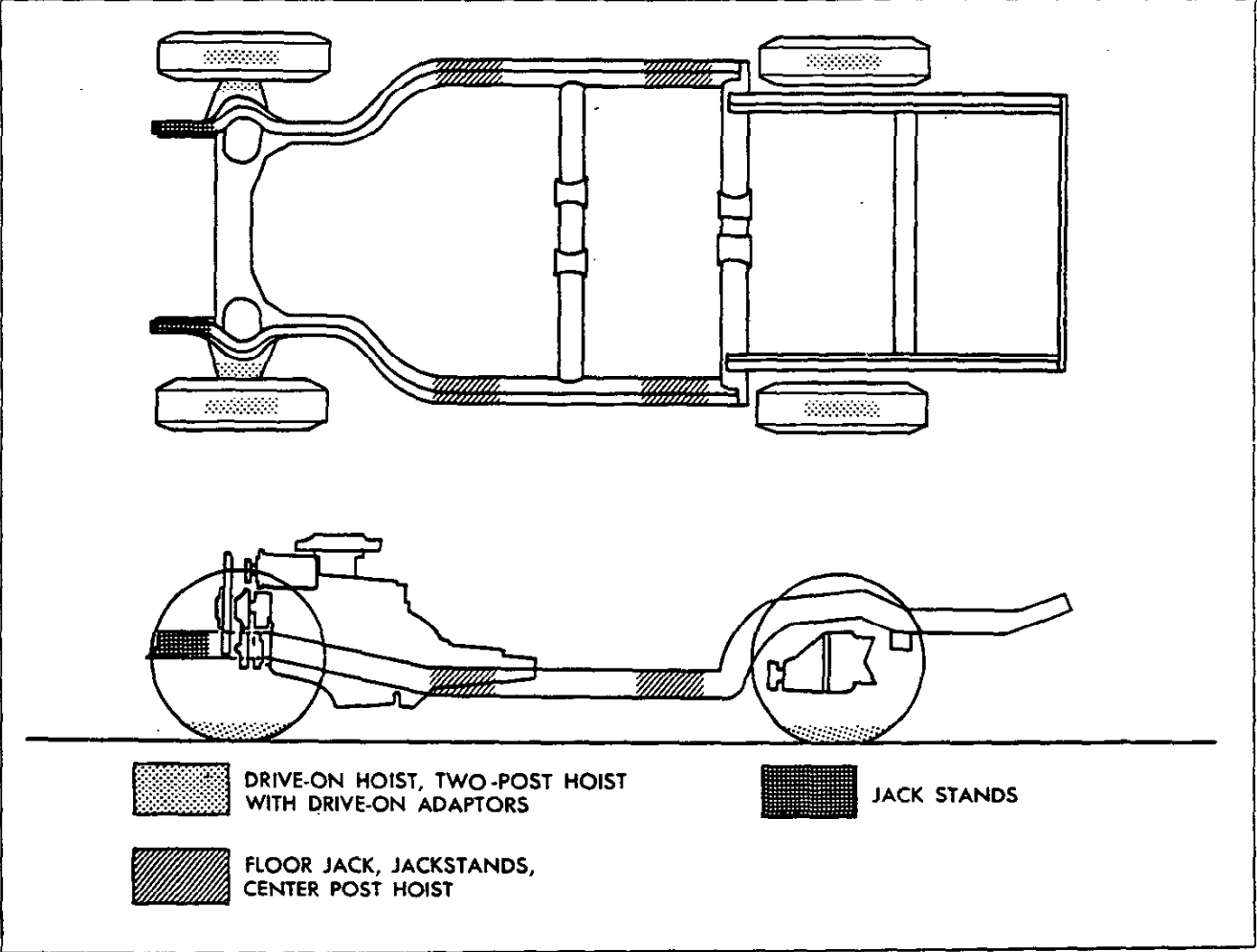


Fig. 5—Vehicle Lifting Points—Corvette

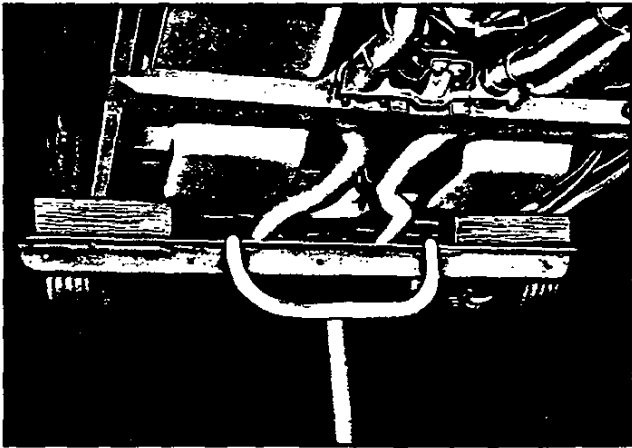


Fig. 6—Frame Lift Adapters—Corvette

LUBRICATION

INDEX

Engine.....	0-12	3 and 4-Speed.....	0-14
Crankcase Capacities.....	0-12	Control Linkage.....	0-14
Lubrication.....	0-12	Clutch Cross Shaft.....	0-14
Engine Oil and Filter Recommendations.....	0-12	Automatic Transmissions.....	0-14
Checking Oil Level.....	0-13	Chassis.....	0-15
Supplemental Engine Oil Additives.....	0-13	Chassis Lubrication.....	0-15
Types of Oil.....	0-13	Front Wheel Bearings.....	0-15
Positive Crankcase Ventilation (P.C.V.) Valve.....	0-13	Brake Master Cylinder.....	0-15
Air Injection Reactor (A.I.R.).....	0-13	Parking Brake.....	0-15
Controlled Combustion System (C.C.S.).....	0-13	Steering Gear.....	0-16
GM Evaporation Control System (E.C.S.).....	0-13	Power Steering System.....	0-16
Manifold Heat Control Valve.....	0-14	Electrical.....	0-16
Air Cleaner.....	0-14	Battery Care (Energizer).....	0-16
Oil Wetted Paper Element Type.....	0-14	Hood Latches.....	0-16
Fuel Filter.....	0-14	Air Conditioning.....	0-16
Rear Axle.....	0-14	Body Lubrication.....	0-16
Transmission.....	0-14	Body Lubrication Points (Corvette).....	0-16
		Complete Maintenance Schedule.....	0-18

The time or mileage intervals on the following pages are intended as a general guide for establishing regular maintenance and lubrication periods for your Chevrolet built vehicle. Sustained heavy duty or high speed operations or operation under adverse conditions may necessitate more frequent servicing.

ENGINE

CRANKCASE CAPACITY

6 cylinder (250) 4 qt. (US meas.) 3.25 qt. Imperial meas.
 8 Cylinder (350) 4 qt. (US meas.) 3.25 qt. Imperial meas.
 8 Cylinder (400) 4 qt. (US meas.) 3.25 qt. Imperial meas.
 8 Cylinder (454) 4 qt. (US meas.) 3.25 qt. Imperial meas.

With filter change; add 1 qt. (US measure) .75 qt. Imperial measure for 6 and 8 Cyl. engines.

LUBRICATION

Crankcase oil should be selected to give the best performance under the climatic and driving conditions in the territory in which the vehicle is driven.

During warm or hot weather, an oil which will provide adequate lubrication under high operating temperatures is required.

During the colder months of the year, an oil which will permit easy starting at the lowest atmospheric temperature likely to be encountered, should be used.

When the crankcase is drained and refilled, the crankcase oil should be selected, not on the basis of the existing temperature at the time of the change, but on the lowest temperature anticipated for the period during which the oil is to be used.

Unless the crankcase oil is selected on the basis of viscosity or fluidity at the anticipated temperature, difficulty in starting will be experienced at each sudden drop in temperature.

Engine Oil and Filter Recommendations

- Use only SE engine oil.
- Change oil each 6 months or 7,500 miles. If more than 7,500 miles are driven in a 6 month period, change oil each 7,500 miles.
- Change oil each 3 months or 3,000 miles, whichever occurs first, under the following conditions:
 - driving in dusty conditions.
 - trailer pulling.
 - extensive idling.
 - short-trip operation at freezing temperatures (engine not thoroughly warmed-up).
- Replace the oil filter at the first oil change, and every second oil change thereafter. AC oil filters provide excellent engine protection.

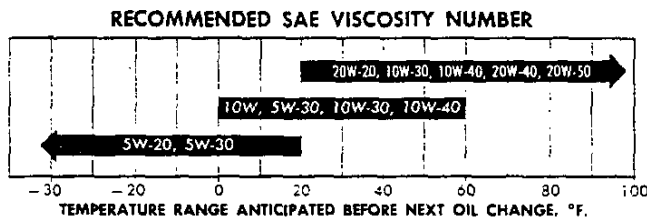
The above recommendations apply to the first change as well as subsequent oil changes. The oil change for your Chevrolet engine is based on the use of SE oils and quality oil filters. Oil change intervals longer than those listed above will seriously reduce engine life and may affect Chevrolet obligation under the provisions of the New Vehicle Warranty.

A high quality SE oil was installed in your engine at the factory. It is not necessary to change this factory-installed oil prior to the recommended normal change period. However, check the oil level more frequently during break in period since higher oil consumption is normal until the piston rings become seated.

NOTE: Non-detergent and other low quality oils are specifically not recommended. Only the use of SE engine oils and proper oil and filter change intervals assure you of continued reliability and performance from your Chevrolet engine.

Checking Oil Level

The engine oil should be maintained at proper level. The best time to check it is before operating the engine or as the last step in a fuel stop. This will allow the oil accumulation in the engine to drain back in the crankcase. To check the level, remove the oil gauge rod (dip stick), wipe it clean and reinsert it firmly for an accurate reading. The oil gauge rod is marked "FULL" and "ADD". The oil level should be maintained in the safety margin, neither going above the "FULL" line nor below the "ADD" line. Reseat the gauge firmly after taking the reading.



- 5W-20 oil is not recommended for sustained high speed driving.
- SAE 30 oils may be used at temperatures above 40°F.
- SAE 5W-30 Viscosity oil is recommended for all seasons in vehicles normally operated in Canada.

NOTE: The oil gauge rod is also marked "Use SE Engine Oil" as a reminder to use only SE oils.

Supplemental Engine Oil Additives

The regular use of supplemental additives is specifically not recommended and will increase operating costs. However, supplemental additives are available that can effectively and economically solve certain specific problems without causing other difficulties. For example, if higher detergency is required to reduce varnish and sludge deposits resulting from some unusual operational difficulty, a thoroughly tested and approved additive - "Super Engine Oil Supplement" is available at your Chevrolet dealer. In the event of an operational problem, consult your dealer for advice before using supplemental additives.

Types of Oil

The Letter Designation "SE" has been established to correspond with the requirements of GM 6136-M as revised. "SE" engine oils will be better quality and

perform better than those identified with "SA" through "SD" designations, and are recommended for all Chevrolet passenger cars regardless of model year and previous engine oil quality recommendations.

The letter designations for passenger car service and their relationship to GM specifications are described on the following chart.

ENGINE OIL PERFORMANCE AND ENGINE SERVICE CLASSIFICATION SYSTEM CHEVROLET PASSENGER CARS

Letter Designation	GM Specification	Applicable Chevrolet Model Year
SA	None	None
SB	None	None
SC	GM 4745-M	1967 and Prior Years
SD	GM 6041-M (1968 Release)	1970 and Prior Years
SE	GM 6136-M 1972	1975 and Prior Years

POSITIVE CRANKCASE VENTILATION VALVE

Every 30,000 miles or 24 months the valve should be replaced. Connecting hoses, fittings and flame arrestor should be cleaned. At every oil change the system should be tested for proper function and serviced, if necessary. (Also see maintenance schedule at end of this section).

AIR INJECTION REACTOR SYSTEM (A.I.R.)

CONTROLLED COMBUSTION SYSTEM (C.C.S.)

The Air Injection Reactor system should have the drive belt inspected for wear and tension every 24 months or 30,000 miles, whichever occurs first. In addition, complete effectiveness of either system, as well as full power and performance, depends upon idle speed, ignition timing, and idle fuel mixture being set according to specifications. A quality tune-up which includes these adjustments should be performed periodically to assure normal engine efficiency, operation and performance.

GM EVAPORATION CONTROL SYSTEM

Every 24 months or 30,000 miles (More often under dusty conditions) the filter in the base of the canister must be replaced and the canister inspected.

0-14 GENERAL INFORMATION AND LUBRICATION

MANIFOLD HEAT CONTROL VALVE

Every 7,500 miles or 6 months, check valve for freedom of operation. If valve shaft is sticking, free it up with GM Manifold Heat Control Solvent or its equivalent.

AIR CLEANER

CAUTION: Do not remove the engine air cleaner unless temporary removal is necessary during repair or maintenance of the vehicle. When the air cleaner is removed, backfiring can cause fire in the engine compartment.

NOTE: Under prolonged dusty driving conditions, it is recommended that these operations be performed more often.

Oil Wetted Paper Element Type— L-6 Engine

Replace every 15,000 miles.

V-8 Engine

First 15,000 miles inspect element for dust leaks, holes or other damage. Replace if necessary. If satisfactory, rotate element 180° from originally installed position. Replace at 30,000 miles. Element must not be washed, oiled, tapped or cleaned with an air hose.

Crankcase Ventilation Filter (Located Within Air Cleaner)

If so equipped, inspect at every oil change and replace if necessary. Replace at least every 30,000 miles; more often under dusty driving conditions.

FUEL FILTER

Replace filter element located in carburetor inlet every 12 months or 15,000 miles whichever occurs first, or, if an in-line filter is also used, every 30,000 miles.

Replace in-line filter every 30,000 miles.

REAR AXLE AND 3-SPEED 4-SPEED TRANSMISSIONS

The passenger car operates under the most severe lubrication conditions at high speed and requires a hypoid lubricant which will meet this condition.

RECOMMENDED LUBRICANTS

Standard Rear Axles—SAE 80W or SAE 80W-90 GL-5 Gear Lubricant. (For vehicles normally operated in Canada use SAE 80W GL-5 gear lubricant).

Positraction Rear Axles—Use special positraction lubricant.

Drain and refill at first 15,000 miles then maintain same as standard axle.

CAUTION: Straight Mineral Oil gear lubricants must not be used in hypoid rear axles.

Manual transmissions—SAE 80W or SAE 80W-90 GL-5 gear lubricant. (For those vehicles normally operated in Canada, use SAE 80W GL-5 Gear Lubricant.)

Lubricant Additions—Manual Transmission

The lubricant level in the transmission housing should be checked periodically. (Every 7,500 miles or 6 months).

It is recommended that any additions required to bring up the lubricant level be made using the same type lubricant already in the housing (SAE 80W or SAE 80W-90 GL-5 Gear Lubricant).

When checking lubricant level in transmission the unit being checked should be at operating temperature. With unit at operating temperature the lubricant should be level with bottom of the filler plug hole. If the lubricant level is checked with the unit cold the lubricant level should be 1/2 inch below the filler plug hole.

Lubrication Additions—Rear Axle—Standard

Every 6 months or 7,500 miles, whichever occurs first: Check lubricant level, and add lubricant if necessary to fill to level of filler plug hole. Use SAE 80W or SAE 80W-90 GL-5 Gear Lubricant. (For those vehicles normally operated in Canada, use SAE 80W GL-5 Gear Lubricant).

Lubricant Changes

The rear axle lubricant does not normally require changing for the life of the vehicle. If additions are needed or when refilling the axle after service procedures, use lubricants described above. However, if vehicle is used to pull a trailer, change lubricant every 15,000 miles.

Transmission Shift Linkage (Manual and Automatic)

Every 7,500 miles or 6 months lubricant shift linkage and on manual transmission floor controls lever contacting faces with water resistant EP chassis lubricant which meets GM Specification 6031M.

Clutch Cross—Shaft

Periodic lubrication of the clutch cross shaft is not required. At 30,000 miles or sooner, if necessary; remove plug, install lube fitting and apply EP CHASSIS LUBRICANT which meets GM Specification GM6031M.

AUTOMATIC TRANSMISSIONS

NOTE: At first transmission fluid change, it is recommended that the turbo hydramatic 250 intermediate band be adjusted as specified in Section 7 of this manual.

TURBO HYDRA-MATIC 250 AND 350

Automatic Transmission Fluid Recommendations

Use only automatic transmission fluids identified with

the mark **DEXRON® 11**. These fluids have been specially formulated and tested for use in your automatic transmission, and are available at Chevrolet dealers or local service stations.

Check the fluid level at each engine oil change period. To make an accurate fluid level check.

Drive car several miles, making frequent starts and stops. To bring transmission up to normal operating temperature (approximately 180-190°F).

Park car on a level surface.

Place selector lever in "Park" and leave engine running.

Remove dipstick and wipe clean.

Reinsert dipstick until cap seats.

Remove dipstick and note reading.

If fluid level is at or below the **ADD** mark, add sufficient fluid to raise the level to the **FULL** mark; one pint raises the level from **ADD** to **FULL**. Do not overfill.

Under normal driving conditions, the transmission fluid should be changed every 30,000 miles. If your car is driven extensively in heavy city traffic during hot weather, or is used to pull a trailer change fluid every 15,000 miles. Likewise operators of cars in commercial use such as taxicab, limousine (or patrol car service) where the engine idles for long periods, should change fluid every 15,000 miles.

Every 30,000 miles (every 15,000 if vehicle is driven extensively in heavy city traffic during hot weather; or is in commercial use, such as a taxicab, limousine or patrol car service, where the engine idles for long periods or is used to pull a trailer) remove fluid from the transmission sump and add 2.5 quarts U.S. measure (2.0 quarts Imperial measure). Operate transmission through all ranges and check fluid level as described above.

Turbo Hydra-Matic 375, 400

Lubrication for the Turbo Hydra-Matic 375, 400 will, except for fluid capacity and filter change listed below, follow the recommendations above. After checking transmission fluid level it is important that the dipstick be pushed all the way into the fill tube.

Every 30,000 miles after removing fluid from the transmission sump, approximately 7-1/2 pints U.S. measure (6.25 pints Imperial measure) of fresh fluid will be required to return level to proper mark on the dipstick.

Every 30,000 miles the transmission sump filter should be replaced.

CHASSIS

CHASSIS LUBRICATION

For chassis lubrication, consult the lubrication chart. It shows the points to be lubricated and how often the lubricant should be applied.

The term "chassis lubricant" as used in this manual, describes a water resistant EP chassis lubricant which meets GM Specification GM 6031M designed for application by commercial pressure gun equipment.

CORVETTE REAR WHEEL BEARINGS (INNER)

The inner rear wheel bearings should be lubricated after initial 12,000 miles and every 24,000 miles thereafter with EP chassis lubricant part number 1050679.

REAR UNIVERSAL JOINT FITTING - CHEVROLET

Every 7,500 miles or 6 months—lubricate universal joint with water resistant EP Chassis Lubricant Part number 1050679 which meets GM Specification 6040M.

FRONT WHEEL BEARINGS

It is necessary to remove the wheel and hub assembly to lubricate the bearings. The bearing assemblies should be cleaned before repacking with lubricant. Do not pack the hub between the inner and outer bearing assemblies or the hub caps, as this excessive lubrication results in the lubricant working out into the brake drums or discs and linings.

Front wheels of all passenger car models are equipped with tapered roller bearings and should be packed every 30,000 miles with a high melting point water resistant front wheel bearing lubricant. On units equipped with disc brakes, use wheel bearing lubricant GM Part No. 1051344 or equivalent. This is a premium high melting point lubricant.

CAUTION: "Long fibre" or "viscous" type lubricant should not be used. Do not mix wheel bearing lubricants. Be sure to thoroughly clean bearings and hubs of all old lubricant before repacking.

The proper adjustment of front wheel bearings is one of the important service operations that has a definite bearing on safety. A car with improperly adjusted front wheel bearings lacks steering stability, has a tendency to wander or shimmy and may have increased tire wear. The adjustment of these bearings is very critical. The procedure is covered in Section 3 of this manual under Front Wheel Bearings—Adjust.

BRAKE MASTER CYLINDER

Check level every 7,500 miles or 6 months and maintain 1/4" below lowest edge of each filler opening with DOT-3 or GM Hydraulic Brake Fluid Supreme No. 11 or equivalent.

PARKING BRAKE

Every 7,500 miles or 6 months, apply water resistant lubricant which meets GM Specification GM 6031M to

0-16 GENERAL INFORMATION AND LUBRICATION

parking brake cable, cable guides and at all operating links and levers.

STEERING GEAR

Manual

The steering gear is factory-filled with steering gear lubricant. Seasonal change of this lubricant should not be performed and the housing should not be drained - **no lubrication is required for the life of the steering gear.**

Every 30,000 miles, the gear should be inspected for seal leakage (actual solid grease - not just oily film). If a seal is replaced or the gear is overhauled the gear housing should be refilled with #1051052 (13 oz. container) except Corvette, on Corvette use #1052084 (13 oz. container) Steering Gear Lubricant which meets GM Specification GM 4673M, or its equivalent. Corvette lubricant #1052084 should not be used in past model steering gears.

NOTE: Do not use EP Chassis Lube to lubricate the gear, **DO NOT OVER-FILL** the gear housing.

Power Steering System

Check the fluid level in the pump reservoir at each oil change period. Add GM Power Steering Fluid (or **DEXRON® II** Automatic Transmission Fluid) as necessary to bring level into proper range on filler cap indicator depending upon fluid temperature.

If at operating temperature (approximately 150°F--hot to the touch), fluid should be between **"HOT"** and **"COLD"** marks. If at room temperature (approximately 70°F), fluid should be between **"ADD"** and **"COLD"** marks. Fluid does not require periodic changing.

Power Steering Valve Adapter-Corvette

Every 6 months or 7,500 miles, whichever occurs first, lubricate the power steering valve adapter with EP chassis lubricant which meets GM Specification GM 6031M.

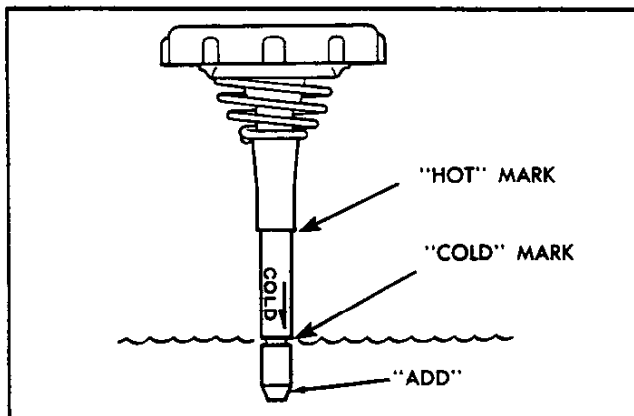


Fig. 7—Power Steering Filler Cap Indicator

ELECTRICAL

BATTERY CARE (ENERGIZER)

Energizer—Check fluid level monthly. If the fluid level is low, add only colorless, odorless drinking water or distilled water to bring level to split ring in filler opening.

HOOD LATCHES

Every 6 months or 7,500 miles, whichever occurs first, lubricate hood latch assembly and hood hinge assembly as follows:

1. Wipe off any accumulation of dirt or contamination on latch parts.
2. Apply Lubriplate or equivalent to latch pilot bolts and latch locking plate.
3. Apply light engine oil to all pivot points in release mechanism, as well as primary and secondary latch mechanisms.
4. Lubricate hood hinges.
5. Make hood hinge and latch mechanism functional check to assure the assembly is working correctly.

AIR CONDITIONING

Every 15,000 miles or 12 months check sight glass under the hood, after the system has been in operation for several minutes. Sight glass should be clear but may, during milder weather, show traces of bubbles. Foam or dirt indicate a leak which should be repaired immediately.

BODY LUBRICATION

See Body Service Manual for Body Lubrication. (Except Corvette).

BODY LUBRICATION POINTS (CORVETTE)

Lubricate the following items when possible.

Hood Latch Mechanism and Hinges—Apply light engine oil to pivot points. Don't oil lock pins or catch plates.

Rear Compartment Lid Release and Hinges—Apply light engine oil.

Side Door Hinge Pins—Apply light engine oil.

Door Lock Rotor and Striker Plate—Apply light engine oil or stainless stick lubricant.

Lock Cylinders—Lubricate with powdered graphite.

Window Regulators and Controls and Door Lock Remove Link—Apply light engine oil.

Gas Tank Filler Cap Hinge—Apply light engine oil.

Weatherstrips and Rubber Bumpers—Coat lightly with a rubber lubricant.

COMPLETE VEHICLE MAINTENANCE SCHEDULE

When To Perform Services (Months or Miles, Whichever Occurs First)	Item No.	Services (For Details, See Numbered Paragraphs)
Every 6 Months or 7,500 Miles	1	*Chassis Lubrication
	2	•*Fluid Levels Check
	3	*Engine Oil Change
At 1st Oil Chg. - Then Every 2nd	4	*Oil Filter Change
See Explanation	5	Tire Rotation (Steel Belted Radial)
	6	Rear Axle Lube Change
Every 12 Months	7	Air Conditioning Check
Every 12 Months or 15,000 Miles	8	*Cooling System Check
		— Coolant Change & Hose Replacement
Every 30,000 Miles	9	Wheel Bearing Repack
	10	*Auto. Trans. Fluid & Filter Change
	11	Manual Steering Gear Check
	12	Clutch Cross Shaft Lubrication
Every 6 Months or 7,500 Miles	13	Owner Safety Checks
	14	Tire and Wheel Inspection
	15	*Exhaust System Check
	16	*Drive Belt Check
		*— Belt Replacement
	17	Suspension and Steering Check
Every 12 Months or 15,000 Miles	18	Brake and Power Steering Check
	19	Drum Brake and Parking Brake Check
	20	Throttle Linkage Check
	21	Underbody Flush & Check
	22	Bumper Check
At First 6 Months or 7,500 Miles - Then at 18 Month/ 22,500 Mile Intervals	23	Thermo. Controlled Air Cleaner Check
	24	Carburetor Choke Check
	25	Engine Idle Speed Adjustment
	26	EFE Valve Check
	27	Carburetor Mounting Torque
Every 12 Months or 15,000 Miles	28	Fuel Filter Replacement
	29	Vacuum Advance System & Hoses Check
	30	PCV System Check
		— PCV Valve & Filter Replacement
Every 18 Months or 22,500 Miles	31	Idle Stop Solenoid Check
	32	Spark Plug Wires Check
Every 22,500 Miles	33	Spark Plug Replacement
	34	Engine Timing Adjustment & Dist. Check
Every 24 Months or 30,000 Miles	35	ECS System Check & Filter Replacement
	36	Fuel Cap, Tank and Lines Check
Every 30,000 Miles	37	Air Cleaner Element Replacement

- Also A Safety Service
- * Also An Emission Control Service

EXPLANATION OF COMPLETE VEHICLE MAINTENANCE SCHEDULE

Presented below is a brief explanation of each of the services listed in the preceding Complete Vehicle Maintenance Schedule.

Vehicle operation under conditions such as heavy dust, continuous short trips, use of other than unleaded or low lead fuels or pulling trailers, is not considered normal use and therefore more frequent maintenance will be required. Such additional maintenance requirements are included where applicable. Refer to the appropriate section of this manual for additional details on specific services. A listing of recommended lubricants and fluids is included at the end of this listing.

LUBE AND GENERAL MAINTENANCE

1. **CHASSIS**—Lubricate all grease fittings in front suspension, steering linkage, and constant velocity universal joint. Also lubricate transmission shift linkage, hood latch, hood hinges, and parking brake cable guides and linkage.
2. **FLUID LEVELS**—Check level of fluid in brake master cylinder*, power steering pump*, battery, engine**, axle, transmission** and windshield washer*. Engine coolant should be checked for proper level and freeze protection to at least -20°F or to the lowest temperature expected during the period of vehicle operation.** Proper engine coolant also provides corrosion protection.
Any significant fluid loss in any of these systems or units could mean that a malfunction is developing and corrective action should be taken immediately. A low fluid level in the brake master cylinder front reservoir could also be an indicator that the disc brake pads need replacing.
3. **ENGINE OIL****—Change each 6 months or 7,500 miles, whichever occurs first under normal driving conditions, or each 3 months or 3,000 miles when the vehicle is operated under the following conditions: (a) driving in dusty conditions, (b) trailer pulling, (c) extensive idling or (d) short-trip operation at freezing temperatures (with engine not thoroughly warmed-up). See elsewhere in this section for additional details on engine oil.
4. **ENGINE OIL FILTER****—Replace at the first oil change and every other oil change thereafter.
5. **TIRES**—Steel belted radial tires should be rotated at first 7,500 miles and then at every 15,000 miles thereafter. Bias-belted tires should be rotated every 7,500 miles. To equalize wear, rotate tires as illustrated in Section 10 of this manual and adjust

* Also a Safety Service

** Also an Emission Control Service

tire pressures as shown on tire placard on rear face of driver's door.

6. **REAR AXLE**—Change lubricant at first 15,000 miles on positraction axles. Change lubricant every 7,500 miles on all type rear axles or final drives when using vehicle to pull a trailer.
7. **AIR CONDITIONING**—Check condition of air conditioning system hoses and refrigerant charge at sight glass (if so equipped). Replace hoses and/or refrigerant if need is indicated.
8. **COOLING SYSTEM**—12 month or 15,000-mile intervals, wash radiator cap and filler neck with clean water, pressure test system and radiator cap for proper pressure holding capacity, (tighten hose clamps and inspect condition of all cooling and heater hoses**). Replace hoses every 24 months or 30,000 miles, or earlier if checked, swollen or otherwise deteriorated.
Also each 12 months or 15,000 miles, clean exterior of radiator core and air conditioning condenser.** Every 24 months or 30,000 miles, drain, flush, and refill the cooling system with a new coolant solution.**
9. **WHEEL BEARINGS**—Clean and repack front wheel bearings with a lubricant as specified in the "Recommended Fluids + Lubricants" chart in this section.
10. **AUTOMATIC TRANSMISSION FLUID**—Under normal driving conditions, change the transmission fluid and service the sump filter every 30,000 miles. On 250 series transmissions, adjust the intermediate band at fluid change intervals.
Under unusual conditions such as constant driving in heavy city traffic, trailer pulling, and commercial applications, services should be performed at 15,000 mile intervals. See elsewhere in this manual for further details on transmission care.
11. **MANUAL STEERING GEAR**—Check for seal leakage around the pitman shaft and housing. If leakage is evident (solid grease oozing out-not just oily film), it should be corrected immediately.
12. **CLUTCH CROSS SHAFT**—Lubricate clutch cross shaft lever.

SAFETY MAINTENANCE

NOTE: Items a thru u can be checked by the owner, while Items 14 thru 22 should only be checked by a qualified mechanic. It is particularly important that any safety systems which may have been adversely affected in an accident be checked and repaired as necessary before the vehicle is returned to use.

13. **SAFETY CHECKS TO BE PERFORMED BY OWNER**—The following checks should be made regularly during operation at no greater interval than 6 months or 7,500 miles, whichever occurs first,

and more often when the need is indicated. Any deficiencies should be brought to the attention of your dealer or another service outlet, as soon as possible, where the advice of a qualified mechanic is available regarding the need for repairs or replacements.

- a. **STEERING COLUMN LOCK**—Check for proper operation by attempting to turn key to **LOCK** position in the various transmission gears with car stationary. Key should turn to **LOCK** position only when transmission control is in **PARK** on automatic transmission models or in reverse on manual transmission models. Key should be removable only in **LOCK** position.
- b. **PARKING BRAKE AND TRANSMISSION "PARK" MECHANISM**—Check parking brake holding ability by parking on a fairly steep hill and restraining the vehicle with the parking brake only. On cars with automatic transmissions, check the holding ability of the "PARK" mechanism by releasing all brakes after the transmission selector lever has been placed in the "P" position.

CAUTION: *Before making the two checks below, be sure to have a clear distance ahead and behind the car, set the parking brake and firmly apply the foot brake. Do not depress accelerator pedal. Be prepared to turn off ignition switch immediately if engine should start.*
- c. **STARTER SAFETY SWITCH (AUTOMATIC TRANSMISSION CARS)**—Check starter safety switch by attempting to start the engine with the transmission in each of the driving gears. The starter should operate only in the Park ("P") or Neutral ("N") positions.
- d. **STARTER, SAFETY SWITCH (MANUAL TRANSMISSION CARS)**—To check, place the shift lever in neutral, depress the clutch halfway, and attempt to start. The starter should operate only when clutch is fully depressed.
- e. **TRANSMISSION SHIFT INDICATOR**—Check to be sure automatic transmission shift indicator accurately indicates the shift position selected.
- f. **STEERING**—Be alert to any changes in steering action. The need for inspection or servicing may be indicated by "hard" steering, excessive free play or unusual sounds when turning or parking.
- g. **WHEEL ALIGNMENT AND BALANCE**—In addition to uneven or abnormal tire wear, the need for wheel alignment service may be indicated by a pull to the right or left when driving on a straight and level road. The need for wheel balancing is usually indicated by a vibration of the steering wheel or seat while driving at normal highway speeds.
- h. **BRAKES**—Be alert to illumination of the brake

warning light or changes in braking action, such as repeated pulling to one side, unusual sounds either when braking or between brake applications, or increased brake pedal travel. Any of these could indicate the need for brake system inspection and/or service.

- i. **EXHAUST SYSTEM**—Be alert to any change in the sound of the exhaust system or a smell of fumes which may indicate a leak.
- j. **WINDSHIELD WIPERS AND WASHERS**—Check operation of wipers, as well as condition and alignment of wiper blades. Check amount and direction of fluid sprayed by washers during use.
- k. **DEFROSTERS**—Check performance by moving controls to "DEF" and noting amount of air directed against the windshield.
- l. **REARVIEW MIRRORS AND SUN VISORS**—Check that friction joints are properly adjusted so mirrors and sun visors stay in the selected position.
- m. **HORN**—Blow the horn occasionally to be sure that it works. Check all button locations.
- n. **LAP AND SHOULDER BELTS**—Check belts, buckles, adjustable latch plates, retractors, interlock and reminder systems, guide loops, clips, and anchors for impaired operation or damage. Check to make certain that anchor mounting bolts are tight.
- o. **HEAD RESTRAINTS**—Check that head restraints, if present, adjust properly in the up detent positions, and that no components are missing, damaged or loose.
- p. **SEAT BACK LATCHES**—Check to see that seat back latches are holding by pulling forward on the top of each folding seat back (with doors closed if equipped with automatic seat back latches).
- q. **LIGHTS AND BUZZERS**—Check all instrument panel illuminating and warning lights, seat belt reminder light and buzzer, ignition key buzzer, interior lights, license plate lights, side marker lights, headlamps, parking lamps, tail lamps, brake lights, turn signals, backup lamps, and hazard warning flashers. Have headlamp aim checked every 12 months or 15,000 miles, or more often if light beams seem to be aimed improperly.
- r. **GLASS**—Check for broken, scratched, dirty or damaged glass on vehicle that could obscure vision or become an injury hazard.
- s. **DOOR LATCHES**—Check for positive closing, latching and locking.
- t. **HOOD LATCHES**—Check to make sure hood closes firmly by lifting on the hood after each closing. Check also for broken, damaged or

0-20 GENERAL INFORMATION AND LUBRICATION

missing parts which might prevent secure latching.

- u. **FLUID LEAKS**—Check for fuel, water, oil or other fluid leaks by observing the ground beneath the vehicle after it has been parked for a while. (Water dripping from air conditioning system after use is normal.) If gasoline fumes or fluid are noticed at any time, the cause should be determined and corrected without delay because of the possibility of fire.
- 14. **TIRES AND WHEELS**—To equalize wear, rotate tires as illustrated in Section 10 in this manual. Adjust tire pressures as recommended on tire placard on left front door. Check disc brake pads and condition of rotors while wheels are removed. Check tires for excessive wear or damage. Make certain wheels are not bent or cracked and wheel nuts are tight. Check tire inflation pressure at least monthly, or more often if daily visual inspection indicates the need.
- 15. **EXHAUST SYSTEM** —Check complete exhaust system and nearby body areas and trunk lid for broken, damaged, missing or mispositioned parts, open seams, holes, loose connections or other deterioration which could permit exhaust fumes to seep into the trunk or passenger compartment. Dust or water in the trunk may be an indication of a problem in one of these areas. Any defects should be corrected immediately. To help insure continued integrity, exhaust system pipes and resonators rearward of the muffler must be replaced whenever a new muffler is installed.
- 16. **ENGINE DRIVE BELTS**—Check belts driving fan, AIR pump, Delcotron, power steering pump and air conditioning compressor for cracks, fraying, wear and tension.** Adjust or replace as necessary.

It is recommended that belts be replaced every 24 months or 30,000 miles, whichever occurs first.
- 17. **SUSPENSION AND STEERING**—Check for damaged, loose or missing parts, or parts showing visible signs of excessive wear or lack of lubrication in front and rear suspension and steering system. Questionable parts noted should be replaced by a qualified mechanic without delay.
- 18. **BRAKES AND POWER STEERING**—Check lines and hoses for proper attachment, leaks, cracks, chafing, deterioration, etc. Any questionable parts noted should be replaced or repaired immediately. When abrasion or wear is evident on lines or hoses, the cause must be corrected.
- 19. **DRUM BRAKES AND PARKING BRAKE**—(See Item 14 for disc brake check.) Check drum brake linings and other internal brake components at each wheel (drums, wheel cylinders, etc.). Parking brake adjustment also should be checked whenever drum brake linings are checked.

NOTE: More frequent brake checks should

be made if driving conditions and habits result in frequent brake application.

- 20. **THROTTLE LINKAGE**—Check for damaged or missing parts, interference or binding. Any deficiencies should be corrected without delay by a qualified mechanic.
- 21. **UNDERBODY**—In geographic areas using a heavy concentration of road salt or other corrosive materials for snow removal or road dust control, flush and inspect the complete underside of the car at least once each year, preferably after a winter's exposure. Particular attention should be given to cleaning out underbody members where dirt and other foreign materials may have collected.
- 22. **BUMPERS**—Check the front and rear bumper systems at 12-month/15,000 mile intervals to be sure that impact protection and clearance originally designed into these systems remain in a state of full readiness. They also should be checked whenever there is obvious bumper misalignment, or whenever the vehicle has been involved in a significant collision in which the bumpers were struck, even when slight or no damage to the bumper systems can be seen.

EMISSION CONTROL MAINTENANCE

NOTE: Additional recommended maintenance instructions relating to vehicle use, evidence of maintenance, and service replacement parts are included in the New Car Warranty Information folder.

- 23. **THERMOSTATICALLY CONTROLLED AIR CLEANER**—Inspect installation to make certain that all hoses and ducts are connected and correctly installed. Also check valve for proper operation.
- 24. **CARBURETOR CHOKE AND HOSES**—Check choke mechanism for proper operation. Any binding condition which may have developed due to petroleum gum formation on the choke shaft or from damage should be corrected. Check carburetor choke hoses for proper connection, cracking, abrasion or deterioration and correct or replace as necessary.
- 25. **ENGINE IDLE SPEED**—Adjust engine idle speed accurately (following the specifications shown on the label under the hood). Adjustments must be made with test equipment known to be accurate.
- 26. **EARLY FUEL EVAPORATION (EFE) VALVE**—Check valve for proper operation. A binding condition must be corrected. Check switch for proper operation. Check hoses for cracking, abrasion or deterioration. Replace parts as necessary.
- 27. **CARBURETOR MOUNTING**—At 7,500, 22,500, and 45,000 miles, or at indicated time intervals, torque carburetor attaching bolts and/or nuts to compensate for compression of the gasket.

28. **FUEL FILTER**—Replace filter (in carburetor) at indicated intervals or more frequently if clogged.
29. **VACUUM ADVANCE SYSTEM AND HOSES**—Check system for proper operation and hoses for proper connection, cracking, abrasion or deterioration. Replace parts as necessary.
30. **POSITIVE CRANKCASE VENTILATION SYSTEM (PCV)**—Check the PCV system for satisfactory operation at 12-month/15,000-mile intervals, and clean filter. Replace the PCV valve at 24 month/30,000-mile intervals and blow out PCV valve hose with compressed air. Replace deteriorated hoses.
The PCV filter (located in the air cleaner) should be replaced whenever the air cleaner element is replaced.
31. **IDLE STOP SOLENOID**—Check for proper operation. An inoperative solenoid must be replaced.
32. **SPARK PLUG WIRES**—Clean exterior of wires; remove any evidence of corrosion on end terminals. Inspect spark plug wires for evidence of checking, burning, or cracking of exterior insulation and tight fit at distributor cap and spark plugs or other deterioration. If corrosion cannot be removed or other conditions above are noted, replace wire.
33. **SPARK PLUGS**—Replace plugs at 22,500 mile intervals with type specified in Section 6 in this manual.
34. **TIMING AND DISTRIBUTOR CAP**—Adjust ignition

timing following the specifications shown on label under hood. Also, carefully inspect the interior and exterior of the distributor cap and rotor for cracks, carbon tracking and terminal corrosion. Clean or replace as necessary.

35. **EVAPORATION CONTROL SYSTEM (ECS)**—Check all fuel and vapor lines and hoses for proper connections and correct routing as well as condition. Remove canister and check for cracks or damage. Replace damaged or deteriorated parts as necessary. Replace filter in lower section of canister.
36. **FUEL CAP, FUEL LINES AND FUEL TANK**—Inspect the fuel tank, cap and lines for damage which could cause leakage. Inspect fuel cap for correct sealing ability and indications of physical damage. Replace any damaged or malfunctioning parts.
37. **AIR CLEANER ELEMENT**—Replace the engine air cleaner element under normal operating conditions every 30,000 miles on V-8 engines and L-6 engines. Operation of vehicle in dusty areas will necessitate more frequent replacements. Your dealer can be of assistance in determining the proper replacement frequency for the conditions under which you operate your vehicle.

CAUTION: *Do not operate the engine without the air cleaner unless temporary removal is necessary during repair or maintenance of the vehicle. When the air cleaner is removed, backfiring can cause fire in the engine compartment.*

0-22 GENERAL INFORMATION AND LUBRICATION

RECOMMENDED FLUIDS & LUBRICANTS

USAGE	FLUID/LUBRICANT
Power steering system and pump reservoir	GM power steering fluid Part No. 1050017 or equivalent — if not available use DEXRON [®] -II automatic transmission fluid
Differential — standard	GL-5 gear lubricant SAE-80W or SAE-80W-90 (80W in Canada)
Differential — Positraction	Lubricant GM Part No. 1051022 or equivalent
Manual steering gear	Lubricant GM Part No. 1051052 or equivalent
Manual transmission	GL-5 gear lubricant SAE-80W or SAE-80W-90 (80W in Canada)
Brake system and master cylinder	Delco Supreme 11 fluid or DOT-3
Clutch linkage (Man. trans. only)	
a. Pivot points	Engine oil
b. Push rod to clutch fork joint, and cross shaft pressure fitting	Chassis grease meeting requirements of GM 6031-M
Manual transmission shift linkage, column shift	Engine oil
Shift linkage, floor shift	Engine oil
Hood Latch assembly	
a. Pivots and spring anchor	Engine oil
b. Release pawl	Chassis grease

USAGE	FLUID/LUBRICANT
Hood hinges	Engine oil
Automatic transmission shift linkage	Engine oil
Chassis lubrication	Chassis grease meeting requirements of GM 6031-M
Constant Velocity Universal Joint	GM Lubricant Part No. 1050679 or grease meeting requirements of GM 6040-M
Automatic transmission	DEXRON [®] -II automatic transmission fluid
Parking brake cables	Chassis grease
Front wheel bearings	Chassis grease meeting requirements of GM 6031-M
Body door hinge pins, station wagon tailgate hinge and linkage, station wagon folding seat, rear compartment lid hinges.	Engine Oil
Convertible door to lock wedge plates	Stick-type lubricant
Windshield washer solvent	GM Optikleen washer solvent Part No. 1050001 or equivalent
Energizer (Battery)	Colorless, odorless drinking water
Engine coolant	Mixture of water and a high quality Ethylene Glycol base type anti-freeze conforming to GM Spec. 1899-M

0-26 GENERAL INFORMATION AND LUBRICATION

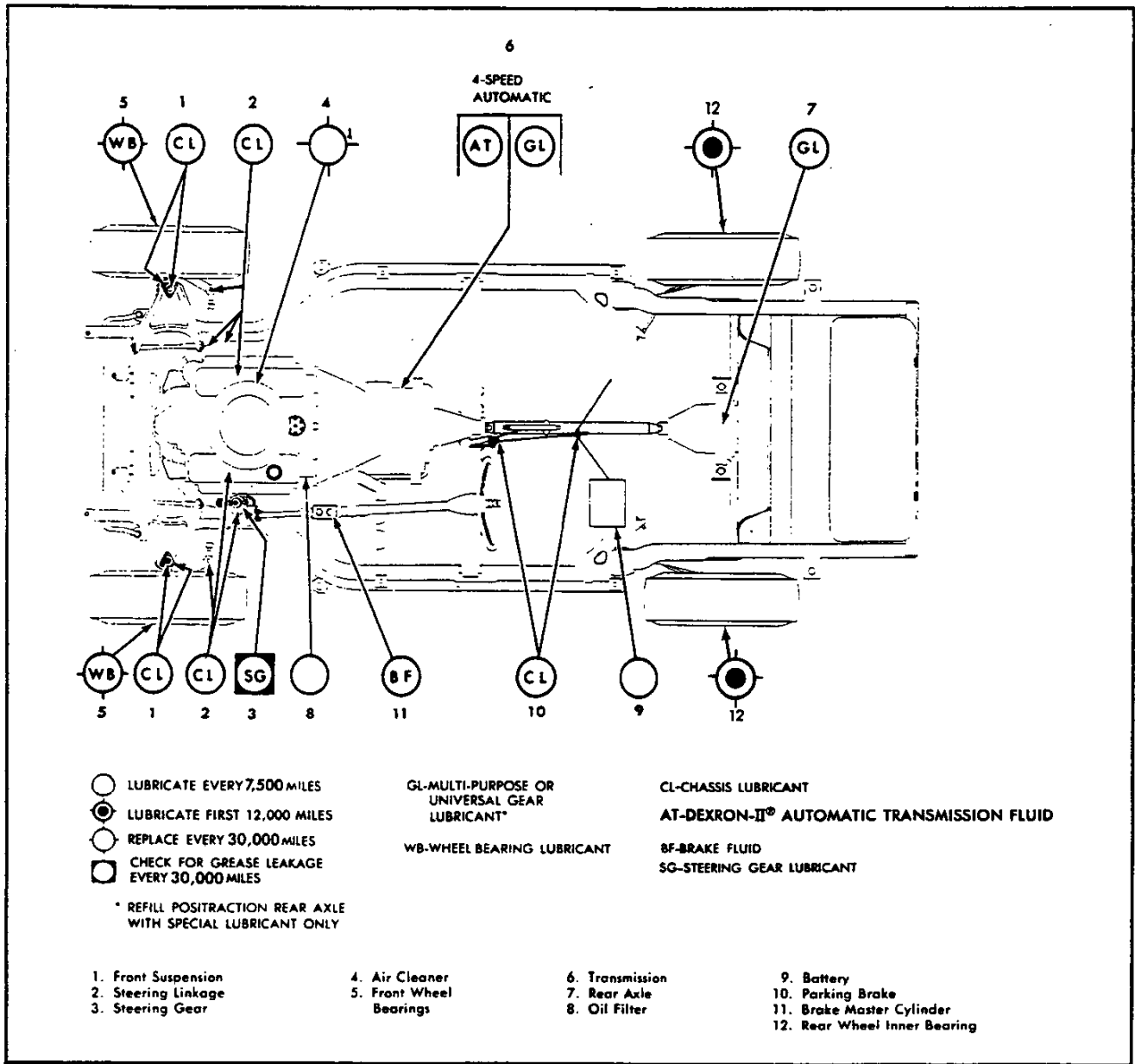


Fig. 11—Lubrication Diagram—Corvette Models



CORVETTE 1975 VEHICLES WITH STANDARD EQUIPMENT

Prices shown are effective with production of 1975 Vehicles

Description	Model Number	Wheel-base	Dealer Invoice Amount*	Dealer Price	Factory D&H [§]	List Price	Mfr's Suggested Retail Price*	Destination Charge & Group Number	Total
◆ 8-Cylinder Engine									
Coupe—2-Passenger.....	1YZ37	98"					6810.10	15	
Convertible—2-Passenger with manually operated folding top...	1YZ67	98"					6550.10	15	

★ Manufacturer's Suggested Retail Prices do not include applicable destination charges, state and local taxes, license fees, options or accessories.
◆ Refer to Dealer Order Guide for California Requirements.

OPTIONS AND ACCESSORIES WHEN INSTALLED BY CHEVROLET

Prices shown are effective with production of 1975 Vehicles

Description	Option Number	Dealer Invoice Amount*	Dealer Price	Factory D&H [§]	List Price	Mfr's Suggested Retail Price [○]
REFER TO DEALER ORDER GUIDE FOR OPTION AVAILABILITY AND APPLICATION						
Air Conditioning: Four-Season	C60					490.00
Axle Ratios:						
<i>High Altitude</i>	G92					12.00
<i>Highway</i>	G85					12.00
Battery, Heavy-Duty	UA1					15.00
Belts, Custom Deluxe: Driver and passenger. Standard on Coupe.....	A85					41.00
Brakes, Power: Included with Z07 Off-Road Package ...	J50					55.00
California Emission Certification: Includes all testing, equipment and /or certification necessary for registration in the State of California	YF5					45.00
Defogger, Rear Window: Forced-Air	C50					46.00
Engines: (Refer to Dealer Order Guide for California Requirements)						
350-4 BBL V8	L48					
Special 350-4 BBL V8	L82					338.00
Horns, Dual	U05					4.00
Light, Map: Mounted on inside rearview mirror	UF1					5.00
Off-Road Handling Package: Includes special HD front and rear brakes, FE7 Gymkhana suspension and J50 power brakes	Z07					403.00
Paint, Exterior: Solid						
Radio Equipment: Pushbutton. Includes 30" fixed height rear antenna.						
AM /FM Radio	U89					178.00
AM /FM Stereo Radio	U58					284.00
Roof Cover, Vinyl: Black. Convertible. Includes C07 auxiliary top	C08					350.00
Steering, Power	N41					129.00
Steering Wheel: Tilt-Telescopic	N37					82.00
Suspension, Gymkhana: Included with Z07 Off-Road Package	FE7					7.00
Tires:						
GR70-15 /B Steel Belted Radial Ply Blackwall (Base)	QRN					35.00
GR70-15 /B Steel Belted Radial Ply White Stripe	QRM					48.00
GR70-15 /B Steel Belted Radial Ply White Lettered	QRZ					
Top, Auxiliary: Hard top. Convertible. In addition to folding top. Included with C08 vinyl roof cover	C07					267.00
Top, Folding: Manually operated. Convertible.....						

* Dealer Invoice Amount includes Holdback Amount retained for dealer's account in accordance with Vehicle Terms of Sale Bulletin.
§ D&H amounts reflect provision for pass through of tire weight tax imposed on manufacturer or importer of tires.
○ State and local taxes not included.

GENERAL

ORIGINAL COPY

MODEL IDENTIFICATION	2
SERIAL NUMBERS AND IDENTIFICATION	3
EXTERIOR EQUIPMENT	4
INTERIOR EQUIPMENT	5-6
EXTRA COST EQUIPMENT	7
AIR CONDITIONING EQUIPMENT	8

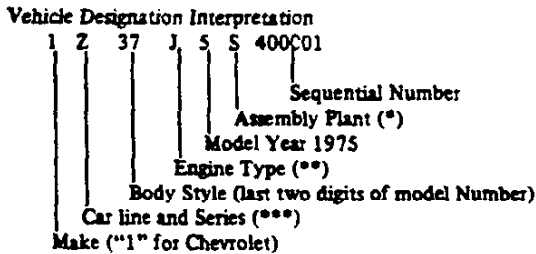
MODEL IDENTIFICATION

BODY	SERIES NAME	BODY STYLE	MODEL DESIGNATION	PASS OR SEATS
Y-CAR	CORVETTE	2-Dr. Sport Coupe	1YZ37	2
		2-Dr. Convertible	1YZ67	2

SERIAL NUMBERS AND IDENTIFICATION

ONLY BASIC DESIGNATIONS SHOWN

VEHICLE IDENTIFICATION NUMBER



*S - St. Louis—Chevrolet

**J - V8-350 (165 H.P.)
T - V8-350 (205 H.P.)

***Z - Corvette

EXAMPLE: The twenty-fifth Chevrolet vehicle built at Chevrolet—St. Louis if it were a 1YZ37 model (Coupe) with a V8-350 (165 H.P.) engine would bear VIN Number 1237J5S400025.

Location Stamped on plate attached to left hand windshield pillar.

TRANSMISSION IDENTIFICATION

Example: PSE01

Type Designation	Source Designation	Model Year	Production ^o Month & Date
HS	P (Muncie)	5	E01D*
HS	4-Speed	V-8 engine	P - Muncie
CK	Turbo Hydra-matic	V-8 engine	H - Ypsilanti

Location:
4-Speed Stamped on the right side of the case at adapter.
Turbo Hydra-matic Nameplate tag on right hand side of the case.

^oMonth: E denotes May; 01 denotes 1st day.

-Alpha Characters used in identifying the Calendar Month

A - January	D - April	K - July	R - October
B - February	E - May	M - August	S - November
C - March	H - June	P - September	T - December

*-The letter "D" or "N" following the date numerals indicates day or night shift, on automatic only.

ENGINE IDENTIFICATION

Example: F1210CHA

Source Designation	Production ^o Month & Date	Type Designation
F (Flint)	1210	CHA

350 Cubic Inch 8-Cylinder

CHA - Regular engine, 4-speed, 4-bbl. carb.
CHB - Regular engine, Turbo Hydra-matic

350 Cubic Inch 8-Cylinder (RPO L82)

CHC - Optional engine, 4-speed, 4-bbl. carb.
CHR - Optional engine, Turbo Hydra-matic

Location:
8-Cylinder engine Stamped on top front of RH bank of cylinder and case.

*-Month: December, 12; 10th day of December, 10.

REAR AXLE IDENTIFICATION

AY - 2.73 Axle
AW - 3.08 Axle
AX - 3.36 Axle
AA - 3.55 Axle
AB - 3.70 Axle

Location, Identification Number
Bottom edge of differential carrier flange.

See Power Train Section for additional information.

EXTERIOR EQUIPMENT

STANDARD EXTERIOR EQUIPMENT

	AERO COUPE	CONVERTIBLE
	19437	19467
FRONT		
Radiator Grille - Black Die Cast Aluminum	X	X
Parking Lamps - Clear Lens	X	X
License Plate Frame, Bright	X	X
Retractable Headlamps, Painted Bezels	X	X
Front Panel Medallion	X	X
Windshield Reveal Moldings, Bright and Painted	X	X
Concealed Windshield Wipers with Integral Washers in Wiper Arms	X	X
Body Color Urethane Front Bumper Cover, Black Painted Bumper Guards	X	X
Hood Air Induction Grille, Painted	X	X
SIDE		
Front Fender and Rear Quarter Marker Lamps	X	X
Front Fender Air Vent, Painted	X	X
Front Fender Nameplate, "Stingray" Script	X	X
Outside Rear View Mirror	X	X
Rocker Panel Molding, Bright	X	X
Wheel Trim Ring and Hub Cap	X	X
Roof Drip Molding - Bright	X	-
Removable Roof Panels	X	-
Press-Flap Door Opening Handles - Bright	X	X
Key Locks - Bright	X	X
Key Lock Cylinder - Anti-Theft Alarm	X	X
Door Belt Bead Molding - Bright	X	X
REAR		
Rear End Panel Block Letters "Corvette"	X	X
Single Outboard Tail Lamps	X	X
Single Inboard Back-Up Lamps	X	X
Air Outlet Grilles, Painted	X	X
Body Color Urethane Rear Bumper Cover, Black Painted Bumper Guards, Integral License Plate Frame	X	X
Fuel Tank Filler Door Medallion	X	X

INTERIOR EQUIPMENT

STANDARD INTERIOR EQUIPMENT

	AERO COUPE		CONVERTIBLE	
	19437		19467	
ROOF AND PILLARS				
Molded Headlining, Padded with Sun Visor Pockets	X		-	
Windshield Pillars, Padded	X		X	
Sunshades, Padded with Brushed Hardware	X		X	
10" Rear View Mirror, Padded Black Back and with Brushed Finish Support	X		X	
Roof Center Strut, Padded with Bright Hardware	X		-	
Top Header Release Latches, Bright	X		-	
Fixed Rear Window, Painted Frame	X		-	
Door Operated Courtesy Light Switches	X		X	
SEATS AND FLOOR COVERING				
Bucket Seats - All Vinyl with Integral Head Restraints	X		X	
Passenger and Stowage Compartment Floor Carpet with Sound Blanket	X		X	
Seat Back Latch, Bright	X		X	
Seat Adjuster Handle, Bright	X		X	
3-Point Seat Belts, Non Detachable Shoulder Belts, Locking Retractors, Seat Sensors, Ignition Interlock	X			
Seat Belts, Locking Retractors, Seat Sensors, Ignition Interlock			X (a)	
Floor Stowage Compartment - 3-Doors, Carpeted	X		X	
Floor Stowage Compartment Door Trim Rings and Push Buttons - Painted-Bright	X		X	
Body Sill Plates-Bright and Painted	X		X	
Stowage Compartment Rear Wall Courtesy Lamp	X		X	
Roof Panel Stowage Vinyl Bag and Tie-Down Straps, Color-Keyed	X		-	
DOOR AND QUARTER PANEL				
Molded Door Trim Panel with Stitching and Built-In Armrest	X		X	
Door Assist Handle - Vinyl	X		X	
Door Remote Control Handle-Chrome and Painted	X		X	
Door Locking Knobs and Escutcheons-Chrome and Painted	X		X	
Door Trim Panel Applique	X		X	
Door Locks - Free Wheeling	X		X	
Window Control Handle-Bright, Plastic Knob	X		X	

(a) Shoulder Belts, Locking Retractors Optional

INTERIOR EQUIPMENT

STANDARD INTERIOR EQUIPMENT

INSTRUMENT PANEL, CONSOLE AND STEERING WHEEL	AERO COUPE	CONVERTIBLE
	19437	19467
Instrument Panel Pad - Trim Color-With Stitching	X	X
160 MPH Speedometer with Trip-O-Dometer	X	X
7000 RPM Tachometer	X	X
Headlamp Rotation and Main Light Switch	X	X
Windshield Washer and Wiper Control-Black-Painted	X	X
"Astro-Ventilation" Air Outlets and Control Knobs-Bright-Black	X	X
Instrument Panel Map Pocket - R.H.	X	X
Electric Clock	X	X
Ammeter, Temperature, Fuel and Oil Pressure Gauges	X	X
Headlamp Hi-Beam Indicator	X	X
Seat Belt, Door Ajar and Headlamp Indicators	X	X
Hood Release Lever-Black-Painted	X	X
Anti-Theft Alarm System	X	X
Rear Compartment Glove Box with Lamp-Carpeted Door	X	X
Ash Tray and Lighter	X	X
Parking Brake Warning Light	X	X
Heater Controls-Thumb Wheel	X	X
Air Vent Control Knobs-Black Plastic White Letters "Close"	X	X
Shift Quadrant-Black With Bright Lettering	X	X
Floor Center Console and Trim Plate-Padded, Morocco Finish	X	X
Floor Center Console Trim Plate "Crossed Flags" Emblem and Engine I.D.	X	X
Parking Brake Lever-Black-Bright	X	X
15" Black Vinyl Steering Wheel, Bright Trim	X	X
Hazard Warning Switch-Black	X	X
Turn Signal Indicators and Control Lever-Bright, Black Knobs	X	X
Steering Column Ignition Switch and Lock-5 Position Painted	X	X
Center Cluster, Morocco Finish	X	X
Center Cluster "Corvette" Nameplate	X	X
Floor Console - Vinyl Grain Covered	X	X
Seat Belt Warning Indicator and Alarm	X	X
Instrument Panel and Console Soft Knobs with Graphics	X	X
 <u>GLASS (TINTED)</u>		
Windshield, Laminated Safety Plate	X	X
Door Windows, Safety Solid Plate	X	X
Fixed Rear Window, Safety Solid Plate	X	-
Rear Window, Vinyl Plastic *	-	X

*Safety solid plate in optional auxiliary top.

EXTRA COST EQUIPMENT

EQUIPMENT	RPO	ACC
POWER TEAMS		
Turbo-Fire 350 V-8	L82	
Off-road package, with L82 and M21	Z07	
4-Speed manual transmission	M20	
4-Speed manual transmission - close ratio	M21	
Turbo Hydra-Matic automatic transmission	M40	
Rear Axle:		
Economy ratios	G95	
Performance ratios	G92	
POWER ASSISTS		
Brakes, Power	J50	
Steering, power	N41	
Windows, power	A31	
OTHER OPTIONS		
Air conditioning, Four Season (See page 8 for content)	C60	
Battery, heavy duty	UA1	
Belts, shoulder - Convertible only	A85	
Cap, locking gas filler		ACC
Carrier, rear deck		ACC
Compass		ACC
Defogger, rear window (forced air)	C50	
Horns Dual	U05	
Map lamp with inside rear view mirror	UF1	
Mirror, right hand		ACC
Radio equipment: Radios, Pushbutton - Includes rear deck antenna		
Radio, AM/FM	U69	ACC
Radio, AM/FM, FM Stereophonic	U58	ACC
Roof cover, vinyl - Auxiliary top required	C08	
Spotlight, hand portable		ACC
Steering wheel, tilt and telescope	N37	
Suspension, Gymkhana - front and rear	FE7	
Top, auxiliary - Convertible only	C07	
Top, Convertible (colors)	C05	
FACTORY INSTALLED REGULAR PRODUCTION TIRES		
GR70 x 15B (2+2) - HWY-Radial - White Stripe	ORM	
GR70 x 15B (2+2) - HWY-Radial - White Letter-d	QRZ	

AIR CONDITIONING

FOUR-SEASON (RPO C60)

Heater integrated; manually controlled by two thumb wheel controls on instrument control panel, plus a 4-speed fan switch. Left thumb wheel uses vacuum supply and electrical switches to operate mode doors and compressor. Right thumb wheel uses bowden cable to temperature door in selector duct assembly.

BASIC COMPONENTS

Evaporator, blower, condenser, receiver - dehydrator, refrigerant (freon) tank, air intake assembly and duct assembly for both systems.

EQUIPMENT (Used in addition to or in place of base equipment)

CHASSIS

Front and Rear Springs Heavy duty
Rear Axle Ratio - Refer to Power Trains Section

POWER TRAINS

Fan Blade 7 blade
Crankshaft Pulley Single, two grooves
Water Pump & Fan Pulley Single, three grooves
Compressor & Crankshaft Belt One
Generator 61 Ampere

DIMENSIONS AND WEIGHTS

INTERIOR DIMENSIONS	2
EXTERIOR DIMENSIONS	3,4
VEHICLE WEIGHTS	5
OPTIONAL EQUIPMENT WEIGHTS	5

INTERIOR DIMENSIONS

FRONT COMPARTMENT

CODE	DESCRIPTION	1YZ67		
		COUPE	SOFT TOP	HARDTOP
H30	H point to heel point		6.4	
H37	Headlining to roof height	.66		.86
H54	D point to tunnel		4.1	
H58	H point rise		0.4	
H61	Effective headroom	36.2	37.1	36.0
H67	Depressed floor covering thickness		.88	
H70	Body zero line to H point (vert.)		7.0	
L17	H point travel		4.5	
L31	Body zero line to H point (horiz.)		44.7	
L34	Maximum effective leg room - accelerator		42.1	
L40	Back angle (degrees)		33°	
L42	Hip angle (degrees)		100.0°	
L44	Knee angle (degrees)		125.0°	
L46	Foot angle (degrees)		88.0°	
L53	H point to accelerator floor point		34.9	

SEAT AND ENTRANCE

H3	Seat chair height		8.7	
H11	Entrance height		29.0	
H26	Interior body height, M/M @ car centerline	33.4	33.6	33.4
H27	Interior body, M/M @ C/LO	40.0	40.2	40.0
H32	Seat cushion deflection		2.3	
H50	Upper body opening to ground		43.6	
W3	Shoulder room		47.9	
W5	Hip room		48.8	
W16	Seat width (each seat)		20.0	
L14	Seat back thickness		3.6	
L18	Entrance foot clearance		13.2	

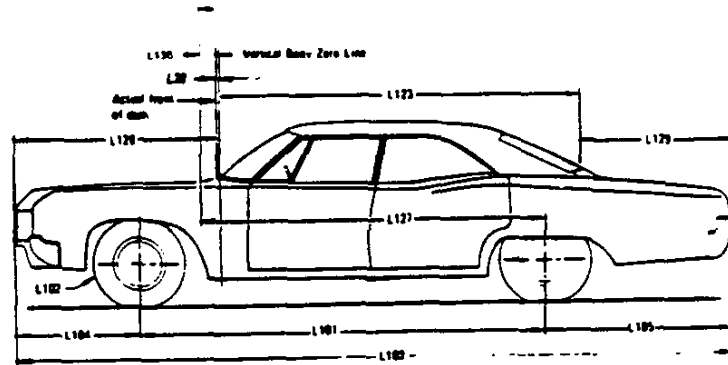
VISION AND CONTROL

H6	H point to W/S bottom DLO		19.8	
H13	Steering wheel thigh clearance		2.3	
H18	Steering column angle (degrees) horizontal		14°38'	
H25	Belt height		17.4	
H49	H point to top of steering wheel		1.1	
W7	Steering wheel center to car centerline		12.7	
W9	Steering wheel maximum O.D.		15.0	
W122	Tumble-home (degrees)		25.0	
L7	Steering wheel torso clearance		12.6	
L13	Brake pedal knee clearance		25.3	
L52	Brake pedal to accelerator		2.6	

LUGGAGE COMPARTMENT

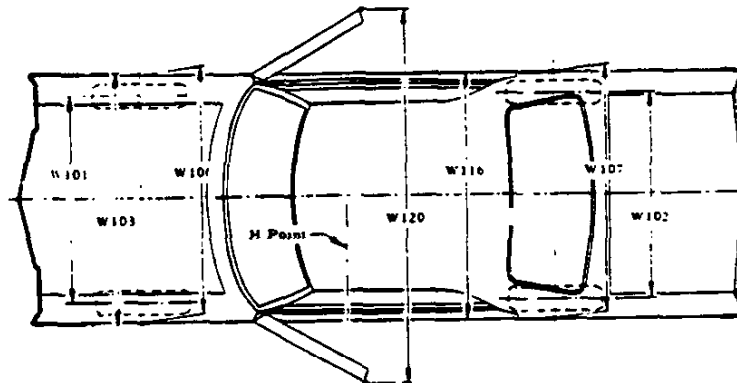
V1	Luggage Capacity - Usable (Cu.Ft.)		6.5	
----	------------------------------------	--	-----	--

EXTERIOR DIMENSIONS



LENGTHS

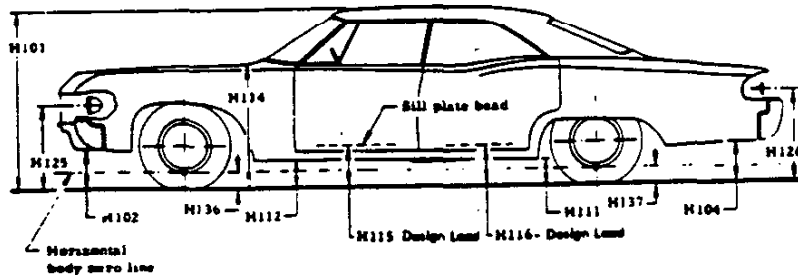
CODE	DESCRIPTION	1YZ37 COUPE	1YZ67	
			SOFT TOP	HARDTOP
L101	Wheelbase		98.0	
L102	Tire size (standard)		GR70-15	
L103	Overall length		185.2	
L104	Overhang - front		42.4	
L105	Overhang - rear		44.8	
-	Overall length - less bumpers		173.7	
L123	Body upper structure length at car center line	57.2	59.8	61.3
L127	Body O line to C/L of rear wheels		72.0	
L128	Front end length at center line		84.5	
L129	Rear end length at center line	45.6	38.1	36.6
L130	Body zero plane to windshield cowl point		16.5	
L30	Body O line to actual front of dash		- 1.7	



WIDTHS

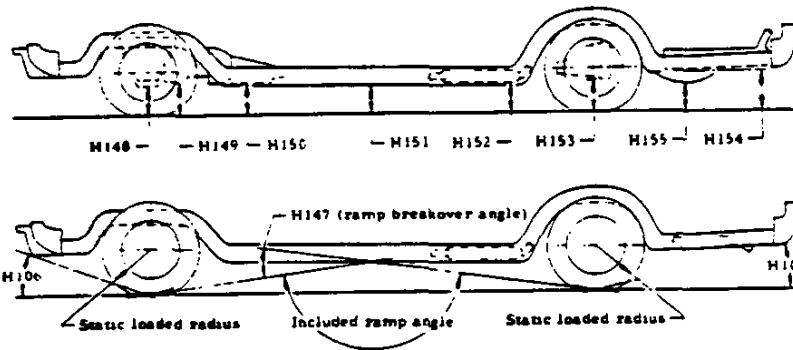
W101	Tread - front	58.7
W102	Tread - rear	59.5
W103	Maximum overall width of car	69.0
W106	Front fender overall width	69.0
W107	Rear fender overall width	68.8
W116	Maximum overall width of body	69.2
W120	Overall car width, front doors open	136.5

EXTERIOR DIMENSIONS



HEIGHTS

CODE	DESCRIPTION	1YZ37 COUPE	1YZ67	
			SOFT TOP	HARDTOP
H101	Overall height (design)	48.1	48.2	48.1
H102	Front bumper to ground		11.0	
H104	Rear bumper to ground		11.9	
H111	Rocker panel to ground - rear		7.7	
H112	Rocker panel to ground - front		7.7	
H114	Hood at rear to ground		36.7	
H115	Step height - front (design)		13.6	
H116	Step height - rear (design)		--	
H125	Headlamp to ground		26.2	
H126	Tail lamp to ground		25.7	
H136	Body O line to ground - front		8.1	
H137	Body O line to ground - rear		7.3	



CLEARANCES

H106	Angle of approach (degrees)	17°66'
H107	Angle of departure (degrees)	17°48'
H147	Ramp breakover angle (degrees)	13°61'
H148	Front suspension to ground	6.4
H149	Oil pan to ground	5.7
H150	Flywheel housing to ground	5.3
H151	Frame to ground	5.2
H152	Exhaust system to ground	4.3
H153	Rear axle to ground	5.7
H154	Fuel tank to ground	18.8
H155	Tire well to ground	4.3
H156	Minimum ground clearance	4.3 (a)

(a) Catalytic converter.

VEHICLE WEIGHTS

CORVETTE

MODEL DESIGNATION	BASE ENGINE	VEHICLE TYPE Description	SHIPPING WEIGHT			CURB WEIGHT		
			Front	Rear	Total	Front	Rear	Total
1YZ37	350 Cu.In. V8 (L48)	2-Door Sport Coupe	1712	1721	3433	1690	1839	3529
1YZ67	350 Cu.In. V8 (L48)	2-Door Convertible	1713	1733	3446	1691	1851	3542

SHIPPING WEIGHT: Weight of basic vehicle with regular equipment, including grease, oil, engine coolant to capacity and (4) gallons of gasoline.

CURB WEIGHT: Shipping weight plus gasoline to capacity.

For total shipping, and curb weights of vehicles equipped with the following options, add to, or deduct from, the base vehicle weight (lbs.)

RPO	OPTION	WITH	WEIGHT
A31	Power Windows		+ 7
C07	Auxiliary Top		+ 69
C08	Exterior, Soft Trim Cover		+ 3
C50	Defogger, Rear Window		+ 4
C60	Air Conditioning		+ 81
FE7	Suspension-Gymkhana	All Engines	+ 2
J50	Power Brakes		+ 10
N37	Tilt, Steering Wheel		+ 3
N41	Power Steering		+ 26
U58	Radio AM/FM Stereophonic		+ 18
U69	Radio AM/FM Pushbutton		+ 14
Base	350 Cu. In. V8 Engine	With Turbo Hydra-Matic Trans.	+ 54
		With 4-Speed Transmission	+ 14
L82	350 Cu. In. V8 Engine	With Turbo Hydra-Matic Trans.	+ 67



BODY

EXTERIOR PAINT PROCESS	2
EXTERIOR-INTERIOR COLORS	3
BODY CONSTRUCTION AND GLASS AREA	4

EXTERIOR PAINT PROCESS

EXTERIOR PAINT PROCESSING PROCEDURES

PUTTY RUB AND SPRAY BODY PRIMER

Operation No.

1. Dry sand all plastic surfaces of body, exterior and interior to be finish painted except interior of convertible top compartment, engine compartment and underside of front and rear fenders.
2. Vacuum all body surfaces, exterior and interior.
3. Solvent clean all surfaces with thinner applied with clean cloth.
4. Wipe on red rubbing putty on all exterior surfaces with substantial pressure to work putty into pits of the fiberglass.
5. Vacuum all surfaces to remove excess putty.
6. Spray primer-surfaces on all exterior surfaces, underside of front and rear fenders, engine compartment and convertible top compartment.
7. Bake 45 minutes at 275° F.
8. Putty glaze where necessary with gray putty.
9. Water sand all exterior and interior surfaces except interior or convertible top compartment and engine compartment.
10. Blow-off body surfaces to remove excessive moisture.
11. Putty glaze where necessary with gray putty.

ACRYLIC LACQUER PAINTING

Operation No.

1. Spray all exterior and interior surfaces with sealer.
2. Air dry 1 minute.
3. Spray Acrylic Lacquer over the exterior surfaces of the body, inside edges of the hood, inner compartment lid, engine compartment drain gutters, lock and hinge pillar facings, doors and headlamp openings.
4. Flash 3 minutes minimum.
5. Bake 30 minutes at 180° F.
6. Cool body to room temperature and repair cracks or defects with resin mixture patch.
7. Wet sand body where necessary and repair defects using water for lubricant and gray putty for filling.
8. Vacuum body.
9. Spray dark gray repair primer-surfaces on body top coat areas sanded through to the primer or bare plastic.
10. Repeat operation No. 3.
11. Flash 3 minutes minimum.
12. Repeat operation No. 3.
13. Flash 3 minutes minimum.
14. Bake 30 minutes at 180° F.
15. Cool body to room temperature.
16. Mask off and spray areas outlined in Corvette Paint Instruction Drawing No. 334789.
17. Bake 30 minutes at 180° F.
18. Cool body to room temperature.
19. Using an extension gun, insert to maximum length through door access holes, spray right and left sides of door inners with aluminum preservative coating.
20. Machine sand with grit paper using mineral spirits liberally applied as the lubricant.
21. Machine polish body to a high lustre.

EXTERIOR-INTERIOR COLORS

1975 CORVETTE INTERIOR-EXTERIOR COLOR COMBINATIONS

TRIM COMBINATIONS			STANDARD ALL-VINYL						CUSTOM LEATHER				
			19	26	60	65	73	14	192	652	142	262	732
NEW OR C/O	EXTERIOR COLORS	COLOR CODE	Black	Dark Blue	Lt. Neutral	Med. Saddle	Dark Ox-blood	Silver	Black	Med. Saddle	Silver	Dark Blue	Dark Ox-blood
C/O	White	10	X	X	X	X	X	X	X	X	X	X	X
N	Silver Metallic	13	X	X	-	X	X	X	X	X	X	X	X
C/O	Red	76	X	-	X	X	X	X	X	X	X	-	X
C/O	Red Metallic	74	X	-	X	X	X	X	X	X	X	-	X
N	Med. Brt. Blue Metallic	22	X	X	-	-	-	X	X	-	X	X	-
N	Dark Steel Blue	27	X	X	-	-	-	X	X	-	X	X	-
N	Flame Red	70	X	-	X	X	-	-	X	X	-	-	-
N	Bright Yellow	56	X	-	X	X	-	-	X	X	-	-	-
N	Bright Green Metallic	42	X	-	X	X	-	X	X	X	X	-	-
N	Medium Saddle Metallic	67	X	-	X	X	-	-	X	X	-	-	-

BODY CONSTRUCTION AND GLASS AREA

GENERAL

Construction Uniconstruction: fiber glass reinforced plastic body backboned by a steel cage outlining the passenger compartment. Principal members - underbody, front and rear end assemblies, dash panel and hinge pillars are bonded, riveted, or bolted together and to each other. Hood is plastic with bonded plastic reinforcement. Coupe: two removable roof panels.

DOORS AND LOCKS

Construction Plastic, double paneled, reinforced with steel at hinge and lock locations. Front hinged.
 Door handles Press-flap handles with fork-type latches. Inside door locking knob on each door, free-wheeling 2-position inside door handles.

HOOD

Operation Internal release lever. Front hinged with telescoping link on right side. Ratchet-type lock for hold open.

VENTILATION

Type Astro Ventilation cow! top air inlets channel air to cow! side kick panel outlets controlled by bowden cable and slide type levers mounted in instrument panel center console. Water drainage at base of "saddlebag" plenum chambers.

GRILLE Black plastic

SEAT CONSTRUCTION

Type and construction Bucket with integral head restraints; all vinyl covering over polyurethane padding. Custom leather optional.

WINDSHIELD WIPERS AND WASHERS

Type Concealed, dual, two-speed, electric integral washers provided in wiper arms.

HEADLIGHTS

Type Dual, retractable. Headlamp door retraction system vacuum operated.

SPARE TIRE

Location In well under fuel tank; accessible from under side of car. Cover with key lock provided.

TOOLS

Type Scissors jack, and combination jack handle and lug wrench.
 Stowage In well in luggage area directly behind passenger seat; carpeted door over well.

BODY GLASS VISIBILITY AREA

LOCATION	MODELS	
	37	67
Windshield	977.4	
Door window	800.8	
Back window	392.5	418.0*
Total area (sq.in.)	2170.7	2196.2*

Windshield - Laminated safety plate (tinted)
 Doors and Rear Window on hardtop - solid safety plate (tinted).
 Rear window on convertible - vinyl plastic.
 (*) Removable auxiliary top - 620.1; total - 2398.3.

CHASSIS

FRAME AND FRONT SUSPENSION	2
STEERING, DRIVELINE, WHEELS AND TIRES	3
REAR AXLE AND SUSPENSION	4
BRAKES	5
BULBS AND LAMPS	6
FUSES AND CIRCUIT BREAKERS	7

FRAME AND FRONT SUSPENSION

FRAME

Description All welded, full length, ladder constructed frame with (5) cross-members. Side rails and intermediate cross-members box section; front crossmember box girder section. Eight body mounting points.

FRONT SUSPENSION

Description Independent, SLA type, coil springs with center mounted shock absorbers, spherical joint steering knuckle pivots.

Wheel travel (design)

Total
 With manual steering 7.95
 With power steering 8.01
 Jounce 4.76
 Rebound
 With manual steering 3.19
 With power steering 3.25
 Wheel to spring, travel ratio 1.92:1

CONTROL ARMS

Description Reinforced steel stamping with pre-loaded steel encased rubber bushings at pivot.

GENERAL SUSPENSION PROVISIONS

Car leveling Front stabilizer bar
 Anti-drive control Angle of front upper control arm

STEERING KNUCKLES

Description Forged steel, with integral brake caliper mounting pads and detachable steering knuckle arm

Spindle diameters

Inner bearing 1.3743-1.3748

Outer bearing 0.8428-0.8433

Spindle thread size 27/32-20 NEF-3 (modified)

Wheel bearings

Type Taper roller

SPHERICAL JOINTS

Type Ball stud

Upper and Lower Compression

Bearing surfaces

Upper and Lower Teflon-coated phenolic

SHOCK ABSORBERS

Type Direct, double-acting, hydraulic

Piston diameter 1.00

STABILIZER BAR

Type Link

Material HR steel

Diameter 0.875

Bushing material Rubber

FRONT WHEEL ALIGNMENT (CURB)

Camber (degrees) $P3/4 \pm 1/2$

Caster (degrees)

Manual $P1 \pm 1/2$

Power $P2-1/4 \pm 1/2$

Toe-in (total) $1/8 \pm 1/32$

Steering Axis Inclination (degrees) $7.683 @ 5^\circ$ camber

FRONT SPRINGS

Part Number	Assy. Code	Cut-Off Length	Wire Dia.	Total Coils	Deflection Rate (Lbs./In.)	HEIGHTS	
						Free	Working (In. @ Lbs.)
340519	AA	104.16	.680	7.25	550	13.14	10.27 @ 1550
346938	AD	121.14	.594	8.00	295	15.14	10.49 @ 1355
346939	AH	133.83	.609	9.00	295	15.45	10.49 @ 1445
346940	AJ	134.31	.624	9.00	320	15.33	10.49 @ 1530
346941	AK	134.61	.638	9.00	345	15.23	10.49 @ 1624
346942	AN	134.99	.652	9.00	370	15.14	10.49 @ 1770
346943	AY	135.40	.664	9.00	370	15.38	10.49 @ 1790
346944	AZ	149.75	.676	9.00	370	15.63	10.49 @ 1880
354131	AHY	104.19	.680	7.25	550	13.34	10.27 @ 1660

STEERING, DRIVELINE, WHEELS AND TIRES

STEERING

Wheel	
Type	3 spoke with center horn ring
Diameter	15.0
Column Energy absorbing	
Gear -	
Type	
Manual (Standard)	Recirculating ball nut
Power (Optional)	Integral, recirculating ball nut with hydraulic pressure provided from a vane type pump
Gear Ratios	
Manual	16.1:1
Power	16.1:1
Overall Ratios	
Manual	20.2:1 (Standard); 17.6:1 (fast)
Power	17.6:1
Number of wheel turns, lock to lock	
Manual	3.4 (Standard); 2.92 (fast)
Power	2.92
Linkage Parallelogram, rear of wheels, two tie rods	
Turning Diameters	
Outside front, wall to wall	38.6
Outside front, curb to curb	37.0
Outside wheel angle with inside wheel	
@ 15 degrees	14.15
@ 20 degrees	18.30
@ 35.20° (limit of turn)	27.21

DRIVELINE

Type	Tubular propeller shaft
Number used	One
Diameter (OD)	2.0
Length (C/L of U-joints)	
Manual	29.90
Turbo Hydra-matic	29.50
Wall thickness	
Manual	.120
Turbo Hydra-matic	.095
Universal joints	
Type	Cross
Number used	Two
Bearings	Prepack, anti-friction
Torque forces	Through differential to frame members

WHEELS

Type	Short spoke spider
Attachment to hub	5 hex nuts, 7/16-20 UNF 2-B, arranged on a 4.75 diameter bolt circle
Offset	N-0.50
Rim size	15 x 8.00

TIRES, STANDARD EQUIPMENT

Construction	Steel belted radial
Size and ply rating	GR70 x 15B (2+2)
Specifications	
Static Loaded Radius	12.23
Loaded rev/mi @ 45 MPH	760
Capacity @ 24 psi	1380

REAR AXLE AND SUSPENSION

REAR AXLE - POSITRACTION

Description Fixed differential housing hypoid ring and pinion gear set, tubular articulating inner axle shafts and short solid outer shafts with integral drive flange, independently sprung rear wheels.

Pinion offset 1.5
 Pinion bearing adjustment Shim
 Hypoid gear PD 8.375
 Lubricant
 Type Military Spec, MIL-L-2105-B
 Viscosity SAE 90
 Capacity (pts) 4.0

RING AND PINION GEARS & TOOTH COMBINATIONS

2.73 41,15
 3.08 40,13
 3.36 37,11
 3.55 32,9
 3.70 37,10

AXLE SHAFTS

Inner Welded steel tubing with universal joint attachments to short shafts at each end.
 Outer Short, splined high-alloy steel with integral wheel mounting flange
 Axle bearings Inner and outer tapered roller, steel encased rubber bearing seals

STABILIZER BAR (optional)

Diameter 0.440

SHOCK ABSORBERS

Type Direct, double-acting, hydraulic
 Piston diameter 1.00

REAR SUSPENSION

Description Full independent with frame-anchored differential. Position of each wheel established by 3 links; tubular axle drive shafts, transverse strut rods, torque control arms. Vertical suspension loads taken by transverse leaf spring. Built-in camber adjustment at strut rod inner ends.

Wheel travel (design height)
 Total 6.74
 Jounce 3.70
 Rebound 3.04

REAR WHEEL ALIGNMENT

Curb
 Camber (degrees) $N11/16^{\circ} \pm 1/4$
 Toe-in (total) $0 \pm 1/32$

REAR SPRING

Type Variable rate, 9-leaf
 Material Chrome carbon steel, heat treated
 Length (developed) between eye centers 48.60
 Width 2.25
 Design load, lb @ camber 1360 @ .352
 Spring liners
 Number 8
 Location Between all leaves except 7
 Material Polyethylene with graphite

BRAKES

General	Type	Disc Front and Rear		
		Manual—standard	Power—optional	
	System	4-wheel caliper disc brake dual hydraulic system with pressure differential and warning light.		
	Type	Double faced disc spaced by integrally cast radial cooling passages		
Front Brakes	Material	Cast iron		
	Diameter and Width	11.75 x 1.25		
	Lining material	Molded asbestos		
	Method of attachment	Riveted		
	Lining size (length x width x thickness)	Inboard	5.40 x 1.93	
		Outboard	5.40 x 1.93	
	Lining area (sq. in.)	43.15		
	Effective area (sq. in.)	37.46		
	Swept area (sq. in.)	249.14		
	Piston diameter	1.875		
Rear Brakes	Type	Same as front brakes		
	Material	Cast iron		
	Diameter and Width	11.75 x 1.25		
	Lining material	Molded asbestos		
	Method of attachment	Riveted		
	Lining size (length x width x thickness)	Inboard	5.40 x 1.93	
		Outboard	5.40 x 1.93	
	Lining area (sq. in.)	43.15		
	Effective area (sq. in.)	37.46		
	Swept area (sq. in.)	249.14		
Apply System	Piston diameter	1.375		
	Master cylinder diameter	1.00	1.12	
	Piston travel	1.101	1.139	
	Pedal travel	6.25	4.00	
	Pedal ratio	5.92	3.51:1	
	Line pressure @ 100 lb. pedal load	576		
Parking Brake	Type	Drum; cast integral with each rear rotor Internal expanding shoes, mechanically actuated		
	Control	Lever; floor mounted in center console		
	Size (L x W x T)	6.78 x 1.25 x .175		
	Total effective area	33.9		

BULBS AND LAMPS

BULBS AND LAMPS	NUMBER REQUIRED AND TRADE NUMBER	CANDLE POWER PER LAMP
Back-up	2-1156	32
Cigarette lighter	1-1445	7
Clock	1-1895	2
Compartment Storage Box	1-1895	2
Courtesy - Instrument panel	2-631	6
Door ajar indicator	1-1895	2
Direction signal indicator	2-1895	2
Dome	1-212	6
Headlamp Outer	2-5001	High beam 37.5W
		Low beam 55.0W
Headlamp Inner	2-4000	High beam 37.5W
Headlamp hi-beam indicator	1-1895	2
Headlamp warning indicator	1-1895	2
Heater or air conditioning control	1-1816	3
Instrument cluster	12-1895	2
License plate rear	1-168	3
Map/Mirror	1-563	4
Parking		
Park	2-1157 NA	22
Turn		24
Parking brake alarm & warning light	1-1895	2
Radio RPO U69	1-1893	2
Radio Dial & Indicator RPO U58	1-1893 (dial)	2 - dial
	1-66 (indicator)	1 - indicator
Seat belt warning indicator	1-1895	2
Side Marker - Front	2-168	3
Side Marker - Rear	2-168	3
Tail		
Stop and turn	2-1157	32
Tail		3
Transmission indicator	1-1895	2
Windshield Washer Indicator	1-1445	7

FUSES AND CIRCUIT BREAKERS

CIRCUIT	TYPE OF PROTECTION	LOCATION AND CIRCUIT*
Air conditioning	30 amp fuse	In line
	25 amp fuse	Fuse panel (h)
Anti-theft horn and relay	20 amp fuse	Fuse panel (e)
Back-up lamps	25 amp fuse	Fuse panel (b)
Brake warning lamp	10 amp fuse	Fuse panel (c)
Cigarette lighter	20 amp fuse	Fuse panel (e)
Cigarette lighter lamp	5 amp fuse	Fuse panel (f)
Clock	20 amp fuse	Fuse panel (e)
Courtesy lamps	20 amp fuse	Fuse panel (e)
Defogger, rear window	20 amp fuse	Fuse panel (g)
Direction signal indicator	20 amp fuse	Fuse panel (b)
Direction signal lamps	25 amp fuse	Fuse panel (b)
Dome lamp (rear)	20 amp fuse	Fuse panel (e)
Door ajar warning	10 amp fuse	Fuse panel (c)
Electric window control	10 amp fuse	Fuse panel (c)
Fuel gauge	10 amp fuse	Fuse panel (c)
Glove compartment lamp	20 amp fuse	Fuse panel (e)
Headlamp door opening	5 amp fuse	Fuse panel (f)
Headlamp hi-beam indicator lamp	Circuit breaker	Light switch (i)
Headlamps	Circuit breaker	Light switch (i)
Heater	25 amp fuse	Fuse panel (h)
Heater dial lamp	5 amp fuse	Fuse panel (f)
Hood air door	20 amp fuse	Fuse panel (g)
Instrument cluster lamps	5 amp fuse	Fuse panel (f)
Key warning buzzer	20 amp fuse	Fuse panel (a)
License plate, rear	20 amp fuse	Fuse panel (d)
Oil gauge	10 amp fuse	Fuse panel (c)
Override relay	10 amp fuse	Fuse panel (c)
Parking lamps	20 amp fuse	Fuse panel (d)
Power windows	30 amp CB	Firewall
Radio	20 amp fuse	Fuse panel (g)
Radio lamp	5 amp fuse	Fuse panel (f)
Seat belt warning buzzer	10 amp fuse	Fuse panel (c)
Seat belt warning lamp	10 amp fuse	Fuse panel (c)
Side Marker lamp - Front	20 amp fuse	Fuse panel (d)
Side Marker lamp - Rear	20 amp fuse	Fuse panel (d)
Starter interlock system	10 amp fuse	Fuse panel (c)
Stop lamps	20 amp fuse	Fuse panel (a)
Tail lamps	20 amp fuse	Fuse panel (d)
TCS - Idle Stop Sol.	20 amp fuse	Fuse panel (g)
Temperature gage	10 amp fuse	Fuse panel (c)
Traffic hazard indicator	20 amp fuse	Fuse panel (a)
Trans. shift indicator lamp	5 amp fuse	Fuse panel (f)
Trans. down shift	20 amp fuse	Fuse panel (g)
Windshield wiper	25 amp fuse	Fuse panel (j)
Windshield wiper lamp	5 amp fuse	Fuse panel (f)
W/S washer pump	25 amp fuse	Fuse panel (j)

* Letter suffix indicates same circuit



POWER TRAINS

POWER TEAM COMBINATIONS	2
POWER TEAM MULTIPLICATION FACTORS	2
ENGINE DATA AND RATINGS	3
ENGINE SPEED AND PISTON TRAVEL	3
VEHICLE PERFORMANCE FACTORS	4
PRINCIPAL COMPONENTS	5
FUEL SYSTEM	10
EXHAUST SYSTEM	10
EMISSION CONTROL EQUIPMENT	11
LUBRICATION SYSTEM	12
COOLING SYSTEM	13
ELECTRICAL SYSTEM	14
CLUTCHES	15
THREE AND FOUR SPEED TRANSMISSIONS	15
TURBO HYDRA-MATIC TRANSMISSION	16

POWER TEAM COMBINATIONS

ENGINE	TRANSMISSION	MODEL APPLICATION	POSITRACTION AXLE RATIOS (*)		
			BASE	HIGHWAY	HIGH ALTITUDE
350 Cu.In. Standard	4-Spd. (2.64:1 low)	All Models	3.36:1	3.08:1	
	Turbo Hydra-matic		3.08:1	2.73:1	
350 Cu.In. V-8 RPO L82	4-Spd. (2.64:1 low)	All Models	3.55:1		
	4-Spd. (2.43:1 low)		3.55:1		3.70:1
	Turbo Hydra-matic		3.36:1		3.55:1

(*) Air conditioning available with all transmission/axle combinations except with 3.70 axle ratio.

MULTIPLICATION FACTORS

WITH MANUAL TRANSMISSION

ENGINE	CARBURETION	TRANSMISSION	TOTAL GEAR REDUCTION					AXLE RATIO
			1st	2nd	3rd	4th	Rev	
350 Cu.In. V-8 Standard	4-Barrel	4-Speed (2.64:1)	8.87	5.88	4.46	3.36	8.57	3.36
350 Cu.In. V-8 RPO L82	4-Barrel	4-Speed (2.64:1)	9.37	6.21	4.72	3.55	9.05	3.55
		4-Speed (2.43:1)	8.63	5.72	4.37	3.55	8.34	3.55

WITH AUTOMATIC TRANSMISSIONS

ENGINE	TRANSMISSION	SELECTOR POSITION	TOTAL TORQUE* MULTIPLICATION	AXLE RATIO
350 Cu.In. V-8 Standard	Turbo Hydra-matic	Drive	16.04:1 - 3.08:1	3.08:1
		Low	16.04:1 - 7.64:1	
		Second	16.04:1 - 4.56:1	
		Reverse	13.46:1 - 6.41:1	
350 Cu.In. V-8 RPO L82	Turbo Hydra-matic	Drive	17.50:1 - 3.36:1	3.36:1
		Low	17.50:1 - 8.33:1	
		Second	17.50:1 - 4.97:1	
		Reverse	17.50:1 - 6.99:1	

* - Axle ratio x transmission ration.

ENGINE DATA AND RATINGS

GENERAL DATA

Engine Type		V-8 OHV	
Piston Displacement (Cu.In.)		350	
Availability		Standard	RPO L82
Number of cylinders		Eight	
Bore and Stroke (nominal)		4.00 x 3.48	
Compression Ratio		8.5:1	9.00:1
Taxable (SAE) Horsepower		51.2	
Firing Order		1-8-4-3-6-5-7-2	
Idling	Manual Trans. (In Neutral)	800	900
Speed	Automatic Trans. (In Drive)	600	700
Compression Press. (PSI) @ Cranking Speed, Engine Hot		150	
Power Plant Mounting		Two front and one rear, compression type	
Measurements	Fan to rear of engine block	31.55	30.86
	Top air cleaner to bottom oil pan	28.52	29.42
	Exhaust manifold to generator (width)	28.53	28.53

ADVERTISED ENGINE RATING

Engine	350 Cu. In.	
Availability	Standard	RPO L82
Net Brake HP @ RPM	165 @ 3800	205 @ 4800
Net Torque @ RPM (lb-ft)	255 @ 2400	255 @ 3600

ENGINE SPEED AND PISTON TRAVEL

Engine	350 Cu.In. Std.		350 Cu.In. L82			
	4-Speed	Trb/Hyd	4-Speed	Trb/Hyd		
Rear Axle Ratio	3.36:1	3.08:1	3.55:1	3.36:1		
Tire Size	GR70 x 15B					
Crankshaft Revolutions per Mile	2553.6	2340.8	2698.0	2553.6		
Crankshaft RPM @ MPH	Low	112.4	96.7	109.3	118.8	105.5
	Second	74.5	57.8	72.4	78.7	63.0
	Third	56.6	39.0	55.3	59.8	42.6
	Fourth	42.6		45.0	45.0	
	Reverse	108.5	81.1	105.7	114.7	88.5
Piston Travel (Ft/Mile)	1481.1	1357.7		1564.8		

VEHICLE PERFORMANCE FACTORS

ENGINE	350 CU.IN. 165 HP	350 CU.IN. 205 HP
MODEL	1YZ37	1YZ37

4-SPEED TRANSMISSION

Performance Weight (pounds)	3733	3746
Pounds per Net Horsepower	22.62	18.27
Pounds per Cu.In. Displacement	10.66	10.70
Net HP per Cu.In. Displacement	.471	.586
Power Displacement (cu.ft./mile)	258.61	273.23
Displacement Factor (cu.ft./ton mile)	138.29	138.69

TURBO HYDRA-MATIC

Performance Weight (pounds)	3787	3800
Pounds per Net Horsepower	22.95	18.54
Pounds per Cu.In. Displacement	10.82	10.86
Net HP per Cu.In. Displacement	.471	.586
Power Displacement (cu.ft./mile)	237.06	258.61
Displacement Factor (cu.ft./ton mile)	125.43	136.11

GLOSSARY

Performance Weight	Curb Weight plus 300 Lb (weight of two 150 lb passengers)
Power Displacement	$\frac{\text{Crankshaft Revs/Mi} \times \text{Piston Displacement}}{2 \times 1728}$
Displacement Factor	$\frac{\text{Power Displacement}}{\text{Performance Wt (tons)}}$

PRINCIPAL COMPONENTS

CYLINDER BLOCK

Material Cast alloy iron
 Bore Diameter
 V8-350 Cu.In. 3.9995-4.0025
 Bore Spacing (Centerline to Centerline)
 V8-350 Cu.In. 4.4
 Bearing Caps (Number, material & attachment)
 V8-350 Cu.In. (L48 - Base) 5, cast iron; 2-bolt
 V8-350 Cu.In. (L82) No. 1 & 5, cast iron; 2-bolt
 No. 2, 3 & 4, nodular iron; 4-bolt
 Water Jackets Full length around each cylinder

CYLINDER HEAD

Material High chrome cast alloy iron
 Bolt Number 34
 Bolt Size4375 dia.; 14 threads/inch

COMBUSTION CHAMBER VOLUME

(Total chamber volume of assembled engine with piston
 at top center)
 V8-350 Cu.In. (L48 - Base) 6.27 Cu.In.
 V8-350 Cu.In. (L82) 5.55 Cu.In.

INLET MANIFOLD

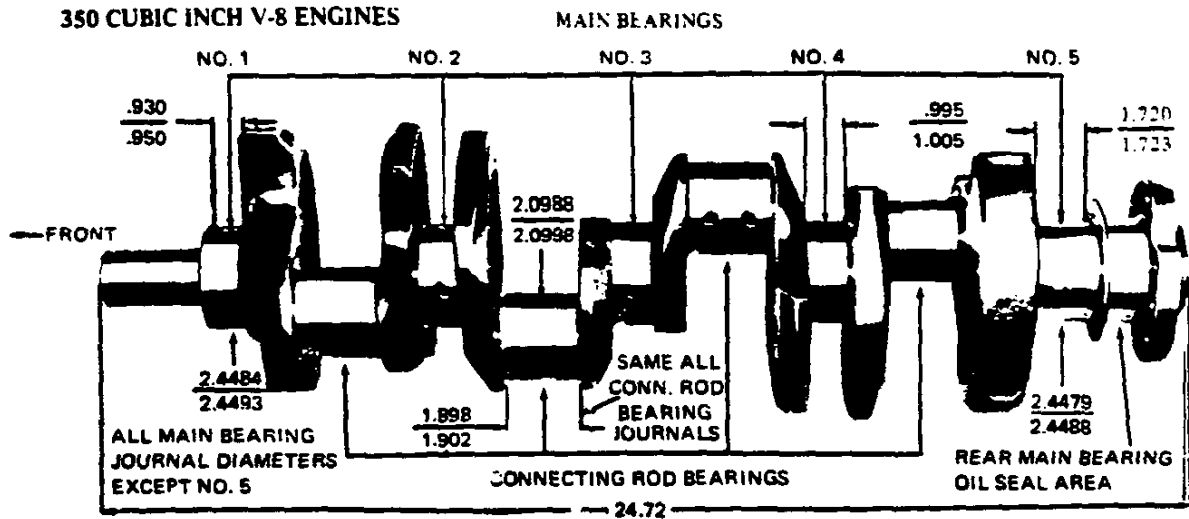
Material Cast alloy iron
 Type 8 port, double deck

EXHAUST MANIFOLD

Material Cast alloy iron
 Type
 V8-350 Cu.In. Dual, 4 port, exhaust emission
 to a single runner with center takedown collector
 Outlet Diameter (Nominal)
 V8-350 Cu.In. 2.50

CRANKSHAFT

Material
 V8-350 Cu.In. (L48 - Base) Nodular iron
 V8-350 Cu.In. (L82) Forged steel
 End Play
 V8-350 Cu.In.002-.007
 Counter Weights 6
 Crank Arm Length
 V8-350 Cu.In. 1.74
 Torsional Damper Rubber mounted inertia
 Timing Gear Steel; sprocket & chain
 Pulley Pitch Diameter 6.64



PRINCIPAL COMPONENTS

MAIN BEARINGS

Material Premium aluminum
 Type Precision removable
 Thrust Against Bearing No. 5
 Clearance
 V8-350 Cu.In. (No. 1) .0008-.0020;
 (No. 2, 3 & 4) .0011-.0023; (No. 5) .0017-.0033

Dimensions	Theoretical Inner Dia.	Effective Length	Projected Area
V8-350 Cu.In.			
Bearing No. 1-4	2.4502	.752	1.8425
Bearing No. 5	2.4508	1.180	2.8919

CAMSHAFT

Material Cast alloy iron
 Drive Sprocket & chain; steel
 Lobe Lift
 V8-350 Cu.In. (L48 - Base) .2600 Inlet; .2733 Exhaust
 V8-350 Cu.In. (L82)3000 Inlet; .3067 Exhaust
 Bearings 5; steel backed babbitt

VALVE LIFT

V8-350 Cu.In. (L48 - Base) .3900 Inlet; .4100 Exhaust
 V8-350 Cu.In. (L82)4500 Inlet; .4600 Exhaust

VALVE TRAIN

Type Individually mounted overhead rocker arms, push rod actuated
 Lifters Hydraulic
 Push Rods
 Type Hollow steel
 Ends
 V8-350 Cu.In. (L48 - Base) Hardened
 V8-350 Cu.In. (L82) Hardened steel insert on rocker arm ends
 Rocker Arms
 Material Stamped steel
 Ratio
 V8-350 Cu.In. 1.50:1
 Rotators Exhaust

VALVE SPRINGS

Diameter (I.D.)
 V8-350 Cu.In.868-.884
 Installed Length (lb. @ in.)
 Valve Closed
 V8-350 Cu.In. (L48 - Base)
 Inlet 76-84 @ 1.70
 Exhaust 76-84 @ 1.61
 V8-350 Cu.In. (L82) 76-84 @ 1.70
 Valves Opened
 V8-350 Cu.In. (Base)
 Inlet 194-206 @ 1.25
 Exhaust 194-206 @ 1.16
 V8-350 Cu.In. (L82) 194-206 @ 1.25
 Free Length
 V8-350 Cu.In. 2.03
 Valve Spring Damper
 V8-350 Cu.In. Flat steel, 4 coils

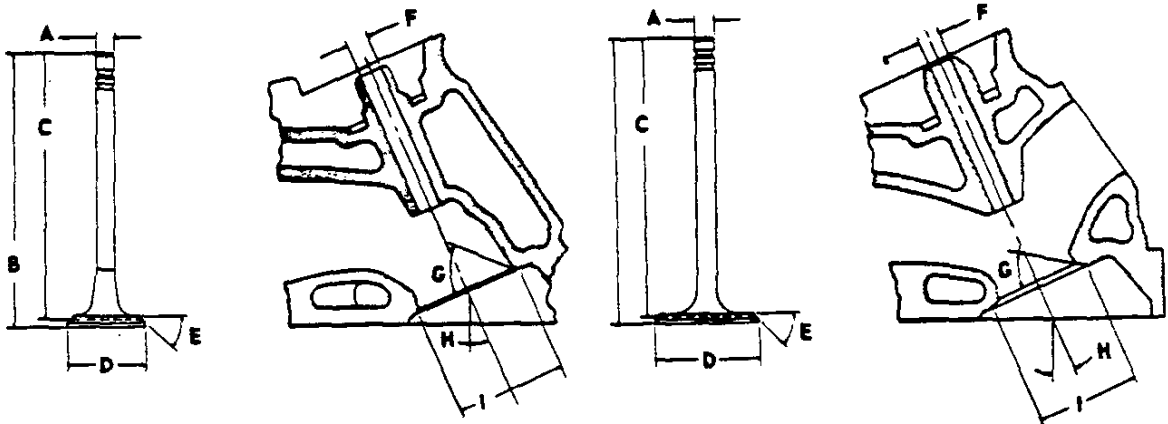
PRINCIPAL COMPONENTS

INLET VALVES

Material Alloy steel
 Coating
 V8-350 Cu.In. None
 All Stems Chrome flash

EXHAUST VALVES

Material High alloy steel
 Coating
 V8-350 Cu.In. Aluminum face
 All Stems Chrome flash



A - Stem Diameter	
V8-350 Cu.In.	3.410-.3417
B - Overall Length	
V8-350 Cu.In.	4.870-4.889
C - Gage Length	
V8-350 Cu.In.	4.785-4.795
D - Overall Head Diameter	
V8-350 Cu.In. (L48 - Base)	1.935-1.945
V8-350 Cu.In. (L82)	2.017-2.023
E - Angle of Face	45°
F - Guide Diameter	
V8-350 Cu.In.3427-.3437
G - Angle of Seat	46°
H - Valve Angle	
V8-350 Cu.In.	23°
I - Valve Seat Diameter	
V8-350 Cu.In. (L48 - Base)	1.591-1.597
V8-350 Cu.In. (L82)	1.949-1.979

A - Stem Diameter	
V8-350 Cu.In.3410-.3417
B - Overall Length	
V8-350 Cu.In. (L48 - Base)	4.910-4.930
V8-350 Cu.In. (L82)	4.891-4.910
C - Gage Length	
V8-350 Cu.In.	4.781-4.791
D - Overall Head Diameter	
V8-350 Cu.In. (L48 - Base)	1.495-1.505
V8-350 Cu.In. (L82)	1.595-1.605
E - Angle of Face	45°
F - Guide Diameter	
V8-350 Cu.In.3427-.3437
G - Angle of Seat	46°
H - Valve Angle	
V8-350 Cu.In.	23°
I - Valve Seat Diameter	
V8-350 Cu.In. (L48 - Base)	1.321-1.327
V8-350 Cu.In. (L82)	1.512-1.551

PRINCIPAL COMPONENTS

PISTONS

Material	
V8-350 Cu.In. (L48 - Base)	Cast aluminum alloy
V8-350 Cu.In. (L82)	Alum. impact extruded
Head Type	
V8-350 Cu.In. (L48 - Base)	Sump
V8-350 Cu.In. (L82)	Flat, notched
Skirt Type	Slipper
Top Land Clearance	
V8-350 Cu.In. (L48 - Base)0235-.0325
V8-350 Cu.In. (L82)0305-.0395
Skirt Clearance	
V8-350 Cu.In. (L48 - Base)0007-.0017
V8-350 Cu.In. (L82)0046-.0056
Compression Ring Groove Depth	
V8-350 Cu.In.2218-.2308
Oil Ring Groove Depth	
V8-350 Cu.In.2038-.2128
Pin Bore Offset	
V8-350 Cu.In. (L48 - Base)055-.065
V8-350 Cu.In. (L82)	On center
Compression Height	
V8-350 Cu.In. (L48 - Base)	1.558-1.562
V8-350 Cu.In. (L82)	1.553-1.567

PISTON PINS

Material	Chromium steel
Length	
V8-350 Cu.In.	2.990-3.010
Diameter	
V8-350 Cu.In.9270-.9273
Clearance in Piston	
V8-350 Cu.In. (L48 - Base)00025-.00035
V8-350 Cu.In. (L82)00045-.00055
Pin Mounting	Locked in rod by shrink fit

VALVE TIMING (Crankshaft Degrees - Excluding Ramps)

V8-350 Cu.In. (L48 - Base)

Inlet Valve	
Opens - BTC	28°
Closes - ABC	72°
Duration	280°
Exhaust Valve	
Opens - BBC	78°
Closes - ATC	30°
Duration	288°

V8-350 Cu.In. (L82)

Inlet Valve	
Opens - BTC	52°
Closes - ABC	114°
Duration	346°
Exhaust Valve	
Opens - BBC	98°
Closes - ATC	62°
Duration	340°

PRINCIPAL COMPONENTS

COMPRESSION RING - UPPER

Material	Cast alloy iron
Type	Straight edge inside of ring
Face	Barrel
Coating	
V8-350 Cu.In. (L48 - Base)	Chrome plate
V8-350 Cu.In. (L82)	Wear resistant coating molybdenum inly
Width	
V8-350 Cu.In. (L48 - Base)	.0775-.0780
V8-350 Cu.In. (L82)	.0770-.0775
Wall Thickness	
V8-350 Cu.In.	.190-.200
Gap	.010-.020

COMPRESSION RINGS - LOWER

Material	Cast alloy iron
Type	Inside bevel (top of ring 30 degrees to piston vertical axis for V8-350)
Face	Tapered
Coating	
V8-350 Cu.In.	Wear resistant
Width	
V8-350 Cu.In. (L48 - Base)	.0770-.0775
V8-350 Cu.In. (L82)	.0770-.0775
Wall Thickness	
V8-350 Cu.In.	.190-.200
Gap	
V8-350 Cu.In.	.013-.025

OIL CONTROL RINGS

Type	Multi-piece (two rails and one spacer)
Material	
Rails	Steel
Spacer	Alloy steel
Width (assembled)	
V8-350 Cu.In.	.1850-.1870
Wall Thickness	
V8-350 Cu.In.	.150-.156
Gap	
V8-350 Cu.In.	.015-.055
Rail Coatings	Chrome plated

CONNECTING RODS

Material	Drop forged steel
Length (center to center)	
V8-350 Cu.In.	5.695-5.705

CONNECTING ROD BEARINGS

Material	Premium aluminum
Type	Precision removable
Clearance	
V8-350 Cu.In.	.0013-.0035
Theoretical I.D.	
V8-350 Cu.In.	2.1012
Effective Length	
V8-350 Cu.In.	.797
End Play	
V8-350 Cu.In.	.008-.014

FUEL AND EXHAUST SYSTEMS

FUEL SYSTEM

FUEL TANK

Capacity (Gal) 18 (approximately)
Location In body cavity at rear of deck area
Filler Location Center of rear deck area

FUEL FILTERS, DUAL

In Fuel Tank Mesh strainer
Carburetor Inlet Paper

FUEL PUMP

Type Deep cover with vapor return lines.
Drive Camshaft eccentric
Location Lower right front of engine
Pressure Range (shut off pressure at 1800 RPM)
All Engines 7.50-9.00 PSI at pump outlet

AIR CLEANER

Type Cylindrical dual air horns
Filter Element Oil-wetted paper

CHOKE

Type Automatic

CARBURETORS

Make & Type 4-barrel, quadrajct
SAE Flange Size 1.50
Throttle Bore
Primary 1.38
Secondary 2.25
Venturi
Primary 1.04
Secondary Air valve
Secondary Throttle Actuation By linkage
approximately when primary valves are opened
half between closed and open.

EXHAUST SYSTEM

MUFFLERS

Type Dual, exhaust,
single converter with crossover
Construction Heads and body joined
by rolled lock seam construction
Shell036 sheet steel aluminum coating
Wrap030 indented asbestos sheet
Cover018 sheet steel aluminum coating
Heads048 sheet steel aluminum coating
Length, Body 16.00
Width (I.D.) 9.00
Height (I.D.) 7.00

EXHAUST PIPES

Type Two piece; front and rear assemblies
Material Seamless steel tubing

DIMENSIONS - O.D. & WALL THICKNESS

Front Pipes - Laminated (Exhaust to Converter)
V8-350 Cu.In. (L48 - Base) 2.50 x .071
V8-350 Cu.In. (L82) 2.50 x .071
Rear Pipes - Laminated (Converter to Muffler)
V8-350 Cu.In. (L48 - Base) 2.25 x .072
V8-350 Cu.In. (L82) 2.25 x .072

TAIL PIPES

Type Steel tubing 2.25 x .062

EMISSION CONTROL EQUIPMENT

SYSTEM APPLICATION

System Type	Engine Adaptation V8-350	
	L48	L82
PCV - Positive Crankcase Ventilation	All engines - all states	
EGR - Exhaust Gas Recirculation	All engines - all states	
MAI - Manifold Air Injection	All engines - all states	
FEC - Fuel Evaporation Control System	All engines - all states	
UPC - Under Floor Converter	All engines - all states	

BASIC FUNCTIONS OF SYSTEMS

POSITIVE CRANKCASE VENTILATION

Withdraws oil and gas vapors from the various cavities throughout the engine for burning in the combustion cycle.

EXHAUST GAS RECIRCULATION SYSTEM

Meters exhaust gas into induction system for recirculation throughout the combustion cycle to reduce oxides of nitrogen emissions.

MANIFOLD AIR INJECTION

Compresses, regulates and distributes quantities of air to each exhaust port to more completely burn carbon monoxide and hydrocarbon emissions.

CONTROLLED COMBUSTION SYSTEM

Increased combustion efficiency through leaner carburetor mixtures and revised distributor calibration. Special thermostatically controlled camper, in the air cleaner snorkel maintains warm air intake to carburetor.

FUEL EVAPORATION CONTROL SYSTEM

Controls emission of gasoline vapors to the atmosphere by means of an integral separator with the fuel tank that separates vapor from liquid fuel - a filler cap that doesn't permit venting into the atmosphere - a canister for storage of vapors - lines, hoses and valves to control and transport vapors from fuel tank to storage, and finally, to the carburetor for utilization in running the engine.

UNDER FLOOR CONVERTER

The flow of exhaust gases down through the catalyst within the converter, effectively controls the hydrocarbon and carbon monoxide to a more desirable emission.

LUBRICATION SYSTEM

GENERAL

Type	Controlled full pressure
Main Bearings	Pressure
Connecting Rods	Pressure
Piston Pins	Splash
Cylinder Walls	Pressure, jet cross sprayed
Camshaft Bearings	Pressure
Valve Lifters	Pressure
Rocker Arms	Pressure
Timing Gears	Centrifugally oiled from front camshaft bearing
Oil Pressure Sending Unit	Electric
Oil Filler	
Cap	Positive seal
Location	
V8-350 Cu.In.	Top rear of left rocker cover

OIL PUMP

Type	Gear
Normal Oil Pressure	
V8-350 Cu.In.	32-40 PSI @ 2000 RPM
Intake Type	Fixed
Capacity (GPM @ Eng. RPM)	
V8-350 Cu.In.	4.3 @ 2000
Regulator Valve	Opens between 40-45 lbs

OIL DIP STICK - LOCATION

V8-350 Cu.In.	Left side, rear of engine block
---------------	---------------------------------

OIL PAN CAPACITY (Quarts)

Refill	
V8-350 Cu.In.	4.0
Refill with Filter Change	
V8-350 Cu.In.	4.5

OIL FILTER

Type	Full flow, throwaway canister
Location	Left rear underside of engine
Capacity	One pint
By-pass Valve	Opens between 9 to 11 PSI

LUBRICANT GRADES AND TEMPERATURES

20°F and Above	10W-30, 10W-40, 20W-20, 20W-40, 20W-50
0°F to 60°F	10W, 5W-30, 10W-30, 10W-40
Below 20°F	5W-20, 5W30

OIL PAN

Type of Drain Plug	Hex head
Location	Lower rear face of oil pan sump
Size Hex Head	.860-.875
Thread	1/2-20 UNF 2A
Length	0.81
Diameter	.410-.430

COOLING SYSTEM

GENERAL

Type	Pressure, vented thru coolant recovery system
V8-350 Cu.In. (L48 Base)	Internal by-pass
V8-350 Cu.In. (L82)	Internal by-pass
Capacity (with Heater)	
V8-350 Cu.In. (L48 - Base)	19 Qts.
V8-350 Cu.In. (L82)	18 Qts.

RADIATOR

Type	Copper brass, cross flow
Core Constant and Thickness	
Distance between Fins	
V8-350 Cu.In. (L48 - Base)16
V8-350 Cu.In. (L82)16
Distance between Tubes55
Thickness of Core	
V8-350 Cu.In. (L48 - Base)	1.96
V8-350 Cu.In. (L82)	1.96
Frontal Area (Sq.In.)	
V8-350 Cu.In. (L48 - Base)	467
V8-350 Cu.In. (L82)	467
Overflow	Separate coolant bottle

RADIATOR CAP RELIEF VALVE

Opens at Approximately 15 PSI

FAN

Number of Blades	5, staggered
Diameter	17.50
Fan Pulley Pitch Diameter	7.00
Fan Cutout	Thermomodulated fluid coupling

THERMOSTAT

Type	Pellet
Begins to Open at	
V8-350 (L48 - Base)	192°-198°
V8-350 Cu.In. (L82)	177°-183°
Fully opened at	
V8-350 (L48 - Base)	227°
V8-350 Cu.In. (L82)	202°
Thermostat By-Pass Hose (V8-454)745 I.D.

RADIATOR HOSE

Outlet, Lower (Radiator to Water Pump)	
V8-350 Cu.In.	1.75 I.D.
Inlet, Upper (Thermostat Housing to Radiator)	
V8-350 Cu.In.	1.50 I.D.

BELTS; CRANKSHAFT, FAN AND GENERATOR

Number Used	Two
Angle of "V"	38°-42°
Pitch Line	
Fan, Generator and Water Pump Belt	
V8-350 Cu.In.	52.75
Fan and Water Pump Belt	
V8-350 Cu.In.	32.46
Air Injection	
V8-350 Cu.In.	32.46
Width380

WATER PUMP

Type	Centrifugal
Capacity (GPM @ Engine RPM)	
V8-350 Cu.In.	21.6 @ 2000
Bearing	Permanently lubricated double row ball
Drive	Fan belt
Ratio (Pump to Engine RPM)949:1

DRAIN LOCATIONS AND TYPE

Engine Block	Plug; right and left center
------------------------	-----------------------------

ELECTRICAL SYSTEM

SUPPLY SYSTEM

BATTERY

Voltage Rating and Watts
 V8-350 Cu.In. 12 & 3250
 Heavy Duty 12 & 4000

Number of Cells and Plates
 V8-350 Cu.In. 6 & 78
 Heavy Duty 6 & 90

Cold Cranking Rating
 V8-350 Cu.In. 0° 410 amps;
 - 20° @ 310 amps @ 100 minute reserve capacity
 Heavy Duty 0° @ 465 amps;
 - 20° @ 375 amps @ 125 minute reserve capacity

Terminal Grounded Negative
 Location In storage compartment
 behind driver

GENERATOR

Type Diode rectified with integral regulator
 Rating
 Amps 42
 Volts 12

Drive By fan belt
 Pulley Pitch Diameter 2.70
 Ratio (Gen to Engine Speed) 2.15:1

REGULATOR

Type Micro-circuit unit, integral with generator
 Voltage Regulator
 Voltage 13.8-14.8 @ 85° F

STARTING SYSTEM

STARTING MOTOR

Rotation (Drive End View) Clockwise
 Test Conditions . . . Engine at operating temperature
 No Load Test
 Amps 70-99
 Volts 12
 RPM 7800-12000

Motor Drive
 Engagement Solenoid
 Pinion Meshes at Rear
 Pinion Tooth No. 9
 Flywheel Tooth No. 153; V8-454 - 168
 Mounting Bolted to clutch housing

IGNITION SYSTEM

TYPE High Energy Ignition (H.E.I.)
 DISTRIBUTORS Refer to chart below

COIL

Type 12 Volt
 Amperes Drawn
 Engine Stopped 4.0
 Engine Idling 1.8

SPARK PLUGS

Make & Type
 V8-350 Cu.In. ACR44TX
 Thread Size (mm) 14
 Gap060
 Torque 25 lb. ft.

CABLE Linen core impregnated
 with electrical conducting material and
 insulation of rubber with neoprene jacket

DISTRIBUTORS	V8-350	
	L48 - Base	RPO L82
Model	1112905	1112883
Type	High Energy Ignition	
Centrifugal Advance Begins (RPM)	0° @ 1200	0° @ 1200
Max Degrees @ RPM	22 @ 4200	16 @ 2000
Vacuum Advance Begins (In. Hg.)	0° @ 6	0° @ 0
Max Degrees @ In. Hg.	14° @ 11.5	14° @ 4
Timing (Initial Design Setting)	6° BTC @	12° BTC @
Crankshaft Degrees @ RPM (with vacuum spark line disconnected)	800 Manual 600 Automatic	900 Manual 700 Automatic
Timing Mark Location	Torsional Damper	

* California application

CLUTCHES AND TRANSMISSIONS

CLUTCHES

Engine	Type	V8-350 Cu.In.		
	Availability	L48 - Base	RPO L82	
Clutch for		4-Speed		
Type		Single dry disc, semi-centrifugal		
Clutch cover & pressure plate	Eff. plate load, lbs.	2450-2750		
	Press. plate matl.	Nodular iron		
	Clutch spring type	Circular plate diaphragm, bent finger design		
	Clutch spring matl.	Heat treated spring steel		
Driven plate	Type	Single disc with two friction surfaces		
	Cushions	Flat spring steel between friction rings		
	Dampers	10 coil springs (5 sets of two) each plate		
	Friction rings	OD	11.00	
		ID	6.50	
		Total sq. in.	123.70	
		Material	Woven type asbestos	
Flywheel	Flywheel	Material		
		Nodular iron		
	Ring gear	Material	Heat treated HR steel	
		No. of teeth	168	
		PD	14.00	
Attachment		Shrink fit		
Bearings	Release	Type	Single row ball	
		Lubrication	None, prepacked	
	Pilot	Type	Bronze bushing	
		Lubrication	None, sintered and oil impregnated	
Controls	Clutch fork	Drop forged steel, pivot mounted on ball		
	Pedal mounting	Pendant, from brace on dash		
	Lubrication	Crossover shaft		
Clutch housing material		Aluminum alloy		

4-SPEED TRANSMISSIONS

Transmission Type	4-Speed RPO M20		4-Speed RPO M21	
Engine	Type	V8-350 Cu.In.		
Application	Availability	L48 - Base & L82	L82	
Case material		Aluminum		
Gear Shift	Type	Remote		
	Control	Lever		
	Location	Floor, mounted between seats		
Gears	Type	Helical		
	Material	Forged steel, hardened		
	Synchronization	All forward gears		
	Constant mesh gear	All forward gears		
	Sliding gears	Reverse		
	Ratios	First	2.64	2.43
		Second	1.75	1.61
		Third	1.33	1.23
		Fourth	1.00	1.00
		Reverse	2.55	2.35
Lubricant	Type	Meeting Military Specifications MIL-L-2105-B		
	Capacity (pts)	3		
Extension	Material	Aluminum		
	Oil Seal	Steel encased seal of spring loaded Silicone		

TRANSMISSIONS

TURBO HYDRA-MATIC

General Data	Type		Automatic hydraulic torque converter with compound planetary gear system - three forward speeds and reverse.
	Selector lever	Location	Floor mounted
		Operation	Actuates controls by a hydraulic system from pressurized gear type pump
		Quadrant pattern	P-R-N-3-2-1
	Parking Lock	Type	Locking pawl
		Operation	Applied by selector lever through manual linkage
	Method of cooling		Water
	Flywheel assembly		Steel stamping with welded on ring gear
Oil pressure pump		Supplies hydraulic pressure from an engine driven gear type pump	
Hydraulic System	Type		Steel spool valve
	Valves	Manual	Establishes range of transmission operation
		Pressure regulator	Provides main line pressure
		Shift (1-2)	Controls oil pressure for transmission shift from 1-2 or 2-1
		Shift (2-3)	Controls oil pressure for transmission shift from 2-3 or 3-2
	Modulator		Regulates line pressure with modulator oil pressure which varies with torque to transmission
	Accumulator		Provides greater flexibility in attaining desired shift quality for various engine requirements
	Pressure @ Idle (a)	3	70
2		150	
1		150	
Reverse		107.5	
Converter Assembly	Pump (Drive member)		Multivane type, sheet metal blade spot welded to steel pump housing that is an integral part of the converter housing
	Turbine (Driven member)		Steel axial flow blades assembled between inner & outer steel shells
	Stator assembly		Aluminum multivane type blades mounted on a one way (overrunning) roller clutch
	Stall ratio		2.10
	Stall speed (RPM)		2110
	Diameter (nominal)		12.20
Planetary Gear Set	Reaction carrier assembly		4 steep pinion gears
	Output carrier assembly		4 steel pinion gears
	Front band		Circular steel with organic lining
	Rear band		Double wrap circular steel
	Range	D (Drive)	2.48:1 - 1.48:1 - 1.00:1
		L2 (Low two)	2.48:1 - 1.48:1
		L1 (Low one)	2.48:1
R (Reverse)		2.08:1	
Servo Unit		Piston with release spring and inner cushion spring	
Case	Material		Aluminum
Clutches	Type		Three, multiple disk
	Material	Drive plates	Steel with bonded organic facings
		Driven plates	Flat steel
	Forward Clutch		5 each drive & driven plates
	Direct clutch		5 each drive & driven plates
	Intermediate clutch		3 each drive & driven plates
Release spring		Radial row steel coil	
Torque Multiplication	Drive (maximum)		5.21:1 to 1.00
	Low 2		5.21:1 to 1.48
	Low 1		5.21:1 to 2.48
	Reverse		4.37:1 to 2.08
Governor	Type		Cross-axis centrifugal
	Operation		Regulates a pressure proportional to car speed which acts upon the (1-2) (2-3) shift and modulator valves
Lubricant	Type		A suffix A
	Capacity (pints)	Dry	22
		Refill	8

(1) 600 RPM input

**MVMA Specifications Form
Passenger Car**

Car Line CORVETTE
Model Year 1975 Issued 9/74 Revised (e) _____

Car Models

Model Description	Make, Car line, Series, Body Type (Mfr's Model Code)	Max. Number of Passengers (Front/Rear)
CORVETTE 2-Door Sport Coupe 2-Door Convertible	Model Numbers 1YZ37 1YZ67	Front 2 2

ORIGINAL

Any specifications on the following pages that are specific to California requirements are indicated accordingly.

MVMA Specifications Form
Passenger Car

Car Line CORVETTE
 Model Year 1975 Issued 9/74 Revised (•) _____

Car and Body Dimensions See Key Sheets, Pgs. 30-33

All dimensions to ground are for comparative purposes only. Dimensions are to be shown for 4-Dr. Sedan, 2-Dr. H.T., 4-Dr. H.T., Convertible and Station Wagon

SAE Ref. No.	Body Type		
	Sport Coupe	Soft Top	Convertible Hard Top

Width

Tread - Front	W101	58.7		
Tread - Rear	W102	59.5		
Maximum overall car width	W103	69.0		
Body width at No. 2 pillar	W117	66.2		
Max. front doors open	W120	136.5		
Max. rear doors open	W121	-		

Length

Body "O" to front of dash	L 30	-1.7		
Wheelbase	L101	98.0		
Overall car length	L103	185.2		
Overhang - front	L104	42.4		
Overhang - rear	L105	44.8		
Body upper structure length	L123	57.2	59.8	61.3
Body "O" line to C/L of rear wheel	L127		72.0	
Body "O" line to w/s cowl point	L130		16.5	

Height

Passenger Distribution (front & rear)	-		2.0	
Trunk/Cargo load (lbs.)	-		0	
Overall height	H101	48.1	48.2	48.1
Cowl height	H114		36.7	
Deck height	H138			
Rocker panel - front	To ground		7.7	
	From front wheel C/L	H112	-	
Bottom of front door to ground	H133		10.3	
Rocker panel - rear	To ground		7.7	
	From rear wheel C/L	H111	-	
Bottom of rear door to ground	H135		-	
Windshield slope angle	H122		57.0	

Ground Clearance

Bumper to ground - front	H102	11.0		
Bumper to ground - rear	H104	11.9		
Angle of approach	H106	18°6'		
Angle of departure	H107	17°48'		
Ramp breakover angle	H147	14°1'		
Rear axle differential to ground	H153	5.7		
Min. running clearance (Specify)	H156	4.3 (a)		

*All measurements are made at the stated passenger and trunk/cargo loadings.

(a) Catalytic Converter

MVMA Specifications Form Passenger Car

Car Line CORVETTE
 Model Year 1975 Issued 9/74 Revised (•) _____

Car And Body Dimensions See Key Sheets, Pgs. 30-33

SAE Ref. No.	Body Type		
	Sport Coupe	Convertible Soft Top	Convertible Hard Top

Front Compartment

H Point to body "O" line	L31		44.7	
Effective head room	H61	36.2	37.1	36.0
Effective T Point head room	H75	7.2	8.3	7.1
Max eff leg room - accelerator	L34		42.1	
H Point to Heel point	H30		6.4	
H Point travel	L17		4.5	
Shoulder room	W3		47.9	
Hip room	W5		48.8	
Upper body opening to ground	H50		43.6	
Steering Wheel Angle Vertical	H-18		14°38'	
Back Angle Front	L-40		33°	

Rear Compartment

H Point couple distance	L50			
Effective head room	H63			
Effective T Point head room	H76		NOT	
Effective leg room	L51		APPLICABLE	
H Point to Heel point	H37			
Shoulder room	L48			
Rear Compartment room	L3			
Shoulder room	W4			
Hip room	W6			
Upper body opening to ground	H51			

Luggage Compartment

Usable luggage capacity (cu ft)	V1		6.5	
Lid/lower height	H195		-	
Position of spare tire storage			In well under body at rear	
Method of holding lid open			-	

MVMA Specifications Form Passenger Car

Car Line CORVETTE
 Model Year 1975 Issued 9/74 Revised (•) _____

Car And Body Dimensions See Key Sheets. Pgs. 30-33

Body Type

SAE Ref. No.	Sport Coupe	Convertible	
		Soft Top	Hard Top

Station Wagon — Third Seat

Shoulder Room	W85	
Hip room	W86	
Effective leg room	L86	
Effective head room	H86	NOT APPLICABLE
Effective T Point head room	H89	
Seat facing direction		

Station Wagon — Cargo Space

Cargo length at floor - front seat	L202	
Cargo length at belt - front seat	L204	
Cargo width - Wheelhouse	W201	
Opening width at belt	W204	
Maximum cargo height	H201	NOT APPLICABLE
Rear opening height	H202	
Cargo volume index (cu. ft.) W4 x L204 x H201 1728	V2	

Hatchback — Cargo Space

Front Seat Back to Load Floor Height	H197	
Cargo Length at Front Seat Back Height	L208	
Cargo Length at Floor - Front Seat	L209	NOT APPLICABLE
Cargo volume index (cu. ft.) L208 + L209 ? x W4 x H197 1728	V3	

MVMA Specifications Form Passenger Car

Car Line CORVETTE
 Model Year 1975 Issued 9/74 Revised (e) _____

Power Teams (Indicate whether standard or optional)

Net bhp (brake horsepower) and net torque corrected to 85° F and 29.38 in. Hg atmospheric pressure.

SERIES AVAILABILITY	ENGINE						TRANSMISSION	AXLE RATIO ** (Std. first) (Indicate A/C ratio) #		
	Displ. cu. in.	Carb.	Compr. Ratio	SAE Net @ RPM		Exhaust System*		A	B	C
				BHP	Torque					
1YZ37 1YZ67 (Standard) (all states)	350 V8 L48	One; 4-Bbl.	8.5:1	165 @ 3800	255 @ 2400	D 2.25	4-Spd. Manual (2.64:1 low)	3.36	3.08	---
							3-Spd. Automatic*	3.08	2.73	---
1YZ37 1YZ67 (Optional) (all states)	350 V8 (L82)	One; 4-Bbl.	9.0:1	205 @ 4800	255 @ 3600	D 2.25	4-Spd. Manual (2.64:1 low)	3.55	---	---
							4-Spd. Manual (2.43:1 low)	3.55	---	3.70
							3-Spd. Automatic*	3.36	---	3.55
*-Optional ** - Positraction standard with all axle applications # - Air Conditioning available with all axle ratios shown except 3.70 A - Base B - Highway option C - High altitude option										

*S - Single D - Dual

MVMA Specifications Form
Passenger Car

Car Line CORVETTE
 Model Year 1975 Issued 9/74 Revised (•)

Engine Displacement	
L48	V8-350 C.I. L82

Engine — General

Type, no. cyls., valve arr.	90° OHV	
Bore and stroke (nominal)	4.00 x 3.48	
Piston displacement, cu. in.	350	
Bore spacing (C/L to C/L)	4.40	
No. system (front to rear)	L. Bank	1-3-5-7
	R. Bank	2-4-6-8
Firing Order	1-8-4-3-6-5-7-2	
Cylinder Head Material	Cast alloy iron	
Cylinder Block Material	Cast alloy iron	
Cyl. Sleeve-Wet, dry, none	None	
Number of mtg. points	Front	Two
	Rear	One
Engine installation angle	3°	
Taxable horsepower	51.2	
Recommended fuel — regular — premium	Unleaded	
Cylinder Head Volume (cc)	75.47	76.18
Head Gasket Thickness (Compressed)	.021	
Head Gasket Volume (cc)	4.58	
Deck Clearance (Nominal) (above or below block)	.025 (below)	
Minimum Combustion Chamber Volume (cc)	74.47	75.18

Engine — Pistons

Material	Cast aluminum alloy	Alum. impact extruded	
Description and finish	Sump head, slipper skirt	Flat head, notched, slipper skirt	
Weight (piston only) oz.			
Clearance (limits)	Top land	.0235-.0325	
	Skirt	Top	.0007-.0017 (a)
		Bottom	.0046-.0056 (a)
Ring groove diameter	No. 1 ring	3.541-3.556	
	No. 2 ring	3.541-3.556	
	No. 3 ring	3.577-3.592	

(a) Measured 2.44 from top of piston.

MVMA Specifications Form
Passenger Car

Car Line CORVETTE
 Model Year 1975 Issued 9/74 Revised (•) _____

Engine Displacement		
L48	V8-350 C.I.	L82

Engine - Piston Rings

Function (top to bottom)	No. 1, oil or comp.	Compression
	No. 2, oil or comp.	Compression
Compression	No. 3, oil or comp.	Oil
	Description - Upper material, coating, etc	Cast alloy iron; inside bevel; tapered face (a)
	Lower	Cast alloy iron; inside bevel, tapered face (b)
	Width	Upr. .0775-.0780; Lwr. .0770-.0775 Upr. .0770-.775/Lwr. .0770-.0775
Oil	Gap	Upper .010-.020; lower .013-.025
	Description - material, coating, etc	Multi-piece (2 rails and 1 spacer expander) Rails-steel, chrome plated OD; Expander-stainless steel
	Width (assembled)	.1850-.1870
	Gap	.015-.055
Expanders		In oil ring assembly

Engine - Piston Pins

Material	Chromium Steel	
Length	2.990-3.010	
Diameter	.9270-.9273	
Fit	Locked in rod, in piston, floating, etc	Locked in rod
	Bushing	None
Clearance	In rod or piston	None
	In piston	.00025-.00035
Direction & amount offset in piston	In rod	.00045-.00055
		Major thrust side .060
		None

Engine - Connecting Rods

Material	Drop forged steel	
Weight (oz)		
Length (center to center)	5.695-5.705	
Bearing	Material & Type	Premium aluminum
	Overall length	.797
	Clearance (limits)	.0013-.0025
	End Play	.006-.016

- (a) Chrome plated on L48; wear resistant coating and molybdenum inlay on L82
 (b) Wear resistant coating.

MVMA Specifications Form Passenger Car

Car Line CORVETTE
 Model Year 1975 Issued 9/74 Revised (e) _____

Engine Displacement		
L48	V8-350 C.I.	L82

Engine—Crankshaft

Material	Cast nodular iron	Forged steel	
Vibration damper type	Rubber mounted inertia		
End thrust taken by bearing (No.)	5		
Crankshaft end play	.002-.007		
Main bearing	Material & type	Premium aluminum	
	Clearance	No. 1 .0008-.0020; No. 2, 3 & 4-.0011-.0023; No. 5-.0017-.0033	
	Journal dia and bearing overall length	No. 1	2.4502 x .752
		No. 2	2.4502 x .752
		No. 3	2.4502 x .752
		No. 4	2.4502 x .752
		No. 5	2.4508 x 1.180
		No. 6	--
		No. 7	--
	Dir & amt cyl. offset	None	
No. bolts/main brg. cap	10 bolts/5 caps	16 bolts/5 caps	
Crankpin journal diameter	2.099-2.100		

Engine—Camshaft

Location	In block above crankshaft		
Material	Cast alloy iron		
Bearings	Material	Steel backed babbitt	
	Number	5	
	Gear or chain	Chain	
Type of Drive	Crankshaft gear or sprocket material	Steel Sprocket	
	Camshaft gear or sprocket material	Nylon teeth with aluminum hub	
	Timing chain	No. of links	46
		Width	.625
		Pitch	.500

MVMA Specifications Form

Passenger Car

Car Line CORVETTE
 Model Year 1975 Issued 9/74 Revised (e) _____

Engine Displacement

V8-350 C.I.	
L48	L82

Engine—Valve System

Hydraulic lifters (Std., opt., NA)		Standard		
Valve rotator, type (intake, exhaust)		Exhaust		
Push rods (dia., length, material) (a)		.3125 x 7.72 stl. welded tubing	.3120 x 7.72 stl. welded tubing	
Rocker ratio		1.50:1		
Operating tappet clearance (indicate hot or cold)	Intake	Zero		
	Exhaust	Zero		
Timing (based on top of ramp points)	Intake	Opens (*BTC)	28°	52°
		Closes (*ABC)	72°	114°
		Duration (deg.)	280°	346°
	Exhaust	Opens (*BBC)	78°	98°
		Closes (*ATC)	30°	62°
		Duration (deg.)	288°	340°
Valve open overlap (deg.)		58°	114°	
Intake	Material		Alloy steel	
	Overall length		4.870-4.889	
	Actual overall head dia.		1.935-1.945	2.017-2.023
	Angle of seat & face (deg.)		46° seat/ 45° face	
	Seat insert material		None	
	Stem diameter		.3410-.3417	
	Stem to guide clearance		.0010-.0027	
	Lift (@ zero lash)		.3900	.4500
	Outer spring press & length	Valve closed (lb @ in.)	76-84 @ 1.70	
		Valve open (lb @ in.)	194-206 @ 1.25	
	Inner spring press & length	Valve closed (lb @ in.)	Spring damper	
		Valve open (lb @ in.)	Spring damper	
	Exhaust	Material		High alloy steel, aluminized face
Overall length		4.910-4.930	4.891-4.910	
Actual overall head dia.		1.495-1.505	1.595-1.605	
Angle of seat & face (deg.)		46° seat 45° face		
Seat insert material		None		
Stem diameter		.3410-.3417		
Stem to guide clearance		.0010-.0027		
Lift (@ zero lash)		.4100	.4600	
Outer spring press & length		Valve closed (lb @ in.)	76-84 @ 1.61	76-84 @ 1.70
		Valve open (lb @ in.)	194-206 @ 1.16	194-206 @ 1.25
Inner spring press & length		Valve closed (lb @ in.)	Spring damper	
		Valve open (lb @ in.)	Spring damper	

(a) Steel insert on L82.

MVMA Specifications Form Passenger Car

Car Line CORVETTE
 Model Year 1975 Issued 9/74 Revised (●)

Engine Displacement

V8-350 C.I.

Engine — Lubrication System

Type of lubrication (splash, pressure, nozzle)	Main bearings	Pressure
	Connecting rods	Pressure
	Piston pins	Splash
	Camshaft bearings	Pressure
	Tappets	Pressure
	Timing gear or chain	Centrifugally oiled from camshaft bearing
	Cylinder walls	Pressure set cross sprayed
Oil pump type	Gear	
Normal oil pressure (lb. @ engine rpm)	32-40 @ 2000 RPM	
Oil press. sending unit (elect. or mech.)	Electric	
Type oil intake (floating, stationary)	Stationary	
Oil filter system (full flow, part., other)	Full flow	
Filter replacement (element, complete)	Complete	
Capacity of oil case, less filter-refill (qt)	4	
Oil grade recommended (SAE viscosity and temperature range)	20°F and above-20W-20, 10W-30, 10W-40, 20W-40, 20W-50 0° to 60°F-10W, 5W-30, 10W-30, 10W-40 Below 20°F-5W-20, 5W-30	
Engine service reqmt. (SD, SE, etc.)	SE	

Engine — Exhaust system

Type (single, single with cross-over, dual, other)	Dual exhaust, single converter with crossover	
Muffler No. & type (reverse flow, straight thru, separate resonator)	Two, reverse flow	
Exhaust pipe dia. (O.D. wall thick)	Branch	Exhaust pipes to converter 2.50 x .071
	Main	From converter to mufflers 2.25 x .072
Tail pipe dia (O.D. & wall thickness)	2.25 x .062	

MVMA Specifications Form
Passenger Car

Car Line _____
 Model Year **1975** Issued **9/74** Revised (•) _____

Engine Displacement

V8-350 C.I.

Engine — Fuel System

(See supplemental page for Details of Fuel Injection, Supercharger, etc. if used)

Induction type	Carburetor, fuel injection supercharger.	Carburetor
Fuel Tank	Refill capacity (U. S. gals.)	18 approximately
	Filler location	Center of rear deck
Fuel Pump	Type (elec. or mech.)	Mechanical
	Locations	Lower right front of engine
	Pressure range *	7.50-9.00 PSI
Vacuum booster (std., optional, none)		None
Fuel Filter	Type	Fine mesh plastic strainer in gas tank
	Locations	and paper filter element in carburetor inlet
	Choke type	Automatic
	Intake manifold heat control (exhaust or water)	Exhaust
Carburetor	Air cleaner type	Oil wetted paper element
	Standard	--
	Optional	--
	Idle speed (spec. neutral or drive)	Manual
	Automatic	Not specified
	Idle A:F mix	Not specified

Carburetor Supplementary Information

Model Usage	Engine Displ.	Transmission	Carburetors		No. Used and Type	Barre Size
			Make	Model		
All Models	350	Manual	Rochester	7045223	One; 4-bbl.	1.38 Prim.
		Automatic		7045222		2.25 Sec.
	L48	Manual	Rochester	7045211	One; 4-bbl.	1.38 Prim.
		Automatic		7045210		2.25 Sec.

*1800 RPM at pump outlet.

MVMA Specifications Form Passenger Car

Car Line CORVETTE
 Model Year 1975 Issued 9/74 Revised (e) _____

Engine Displacement		
V8-350 C.I.		
L48		L82

Engine — Cooling System

Type system (pressure, pressure vented, atmospheric, other)		Pressure-vented thru coolant recovery system		
Radiator cap relief valve pressure		15 ± 1 PSI		
Circulation thermostat	Type (choke, bypass)	Choke		
	Starts to open at (°F)	192°-198°	177°-183°	
Water pump	Type (centrifugal, other)	Centrifugal		
	GPM <u>2000</u> pump rpm	21.6		
	Number of pumps	One		
	Drive (V-belt, other)	V-belt		
	Bearing type	Permanently lubricated double row ball		
By-pass recirculation type (inter., ext)		Internal		
Radiator core type (cross-flow, vertical, cellular, tube and fin, other)		Tube and center Copper-brass crossflow		
Cooling system capacity	With heater (qt.)	21		
	Without heater (qt.)	-		
	Opt. equipment-specify (qt.)	21		
Water jackets full length of cyl (yes, no)		Yes		
Water all around cylinder (yes, no)		Yes		
Radiator hose	Lower	Number and type (molded, straight)	One, molded	
		Inside diameter	1.75	
	Upper	Number and type (molded, straight)	One, molded	
		Inside diameter	1.50	
	By-pass	Number and type (molded, straight)	None	
		Inside diameter	None	
	Fan	Number of blades & spacing		5-staggered
		Diameter		17.50
Ratio-fan to crankshaft rev.		1.15:1		
Fan cutout type		Thermo-modulated viscous-clutch		
Bearing type		Double row ball		
*Drive belts (indicate belt used by letter)	Fan		AB	
	Generator or alternator		A	
	Water Pump		AB	
	Power Steering		C	
	Air Conditioning		D	
	Air Injection		E	

*Drive Belt Dimensions	A	B	C	D	E	F	G	H	I	J	K
Angle of V	← 38° - 42° →										
Nominal length (SAE)	52.75	32.46	43.50	59.00	32.46						
Width	← 380 →										

**MVMA Specifications Form
Passenger Car**

Car Line _____
 Model Year 1975 Issued 9/74 Revised (e) _____

Engine Displacement

V8-350 C. I.

Vehicle Emission Control

Exhaust Emission Control	Type (Air injection, engine modifications, other)		Air Injection
	Air Injection Pump	Type	Semi-articulated vane type
		Displacement	19.3 cubic inch
		Drive ratio	1.15:1
		Drive type	Crankshaft pulley
		Relief valve (type)	Diverter valve
		Filter (describe)	Centrifugal air cleaner
	Air Injection System	Air distribution (head, manifold, etc.)	Manifold
		Point of entry	Exhaust ports
		Injection tube i.c.	.2700
		Check valve type	Pressure plate type
		Backfire protection (type)	Diverter valve
	Exhaust Gas Recirculation System	Type (controlled flow, open orifice, other)	Controlled flow
		Valve type	Vacuum modulated shut-off and metering valve
		Valve location	Right rear of manifold
		Control energy source	Carburetor vacuum
		Exhaust source	Manifold exhaust crossover
		Exhaust cooler type	None
		Orifice no. and size	One; .030
		Point of exhaust injection (spacer, carburetor, manifold, other)	Inlet manifold
Other	Under floor converter	Catalyst encased in a structural steel shell with an aluminized steel cover and a felt insulating blanket between. Exhaust gas flows down through the catalyst that effectively controls the hydrocarbon and carbon to a more desirable emission.	

MVMA Specifications Form
Passenger Car

Car Line CORVETTE
 Model Year 1975 Issued 9/74 Revised (e) _____

Engine Displacement

V8-350 C.I.

Vehicle Emission Control (Continued)

		Type (ventilates to atmos., induction system, other)	Standard Optional	
Crankcase Emission Control	Control Unit			Induction system
				--
		Make and model		AC Spark plug 6487778
		Location		Left front rocker cover
	Complete System	Energy source (manifold vacuum, carburetor, other)		Manifold vacuum
		Control method (variable orifice, fixed orifice, other)		Variable orifice
		Discharges (to intake manifold, other)		Intake manifold
		Air inlet (breather cap, other)		Carburetor air cleaner
		Flame arrestor (screen, other)		Screen
Evaporative Emission Control	Fuel Tank	Thermal expansion volume (cu. ft.)		Approximately 10% of refill capacity
		Relief pressure (psi) and location		1.1 PSI
		Vacuum relief (psi) and location		.7 PSI
		Vapor-liquid separator type		Integral with fuel tank
		Vapor vented to (crankcase, canister, other)		Canister
				--
	Carbu- retor	Vapor vented to (crankcase, canister, other)		Internally vented
				--
	Vapor Storage	Storage provision (crankcase, canister, other)		Canister
				--
Volume (cu. ft.) or capacity (grams)			Approximately 50 grams storage capacity	
	Control valve type		Controlled by orifices and carburetor throttle body and throttle blade position	

**MVMA Specifications Form
Passenger Car**

Car Line CORVETTE

Model Year 1975 Issued 9/74 Revised (e)

Engine Displacement

V8-350 C.I.

Electrical — Supply System

Battery	Make and Model		Delco Remy 1980216
	Voltage Rtg. & Total Plates		12 volts (3250 watts) 78 plates
	SAE Designation No. and/or capacity		Cold cranking rating 0°-410 amps: -20°-310 amps 100 minute reserve capacity
	Location		Right side of engine compartment
	Terminal grounded		Negative
Generator or Alternator	Make		Delco-Remy
	Model		1100950
	Type and rating		Diode rectified with integral regulator -42 amps
	Output at engine idle (neutral)		14-22 amps
	Ratio—Gen. to Cr/s rev		2.15:1
	Make		Delco-Remy
Regulator	Model		--
	Type		Micro circuit unit; integral with generator
	Cutout relay	Closing voltage @ generator rpm	None
		Reverse current to open	None
	Regulated	Voltage	13.8-14.8 @ 85°F
		Current	--
	Voltage test conditions	Temperature	Operating
		Load	3-8 amperes
Other		None	

Electrical — Starting System

Starting Motor	Make		Delco-Remy
	Model		1108418
	Rotation (drive end view)		Clockwise
Motor Drive	Engagement type		Positive shift solenoid
	Pinion engages from (front, rear)		Rear
	Number of teeth	Pinion	9
		Flywheel	Manual
	Auto.		153
	Flywheel tooth face width	Manual	.4010-.4130
Auto.		.4010-.4130	

MVMA Specifications Form
Passenger Car

Car Line CORVETTE
 Model Year 1975 Issued 9/74 Revised (•) _____

Engine Displacement

L48	V8-350 C.I.	L82
-----	-------------	-----

Electrical — Ignition System — Distributor

Breaker gap (in.)		Not applicable	
Cam angle (deg.)		Not applicable	
Brkr. arm tension (oz.)		Not applicable	
Distributor	Manual	1112905	1112883
	Automatic	1112905	1112883
Timing	Manual	6° BTDC @ 800	12° BTDC @ 900
	Automatic	6° BTDC @ 600	12° BTDC @ 700

Distributor Model	CENTRIFUGAL ADVANCE Crankshaft Degrees at Engine RPM			VACUUM ADVANCE Crankshaft Deg. at In. of Mercury	
	Start	Intermediate	Maximum	Start	Maximum
1112883	0° @ 1200	13 @ 1600	16 @ 2000	0° @ 0	14° @ 4
1112905	0° @ 1200	12 @ 2000	22 @ 4200	0° @ 6	14° @ 11.

**MVMA Specifications Form
Passenger Car**

Car Line CORVETTE
Model Year 1975 Issued 9/74 Revised (•) _____

Engine Displacement

V8-350 C.I.

Electrical—Ignition System

Type	Conventional - Std., Opt., N.A.	-----	
	Transistorized - Std., Opt., N.A.	Not available	
	Other (specify) STANDARD	High energy ignition system H.E.I.	
Coil	Make	Delco-Remy	
	Model	1115270	
	Amps	Engine stopped	4.0
		Engine idling	1-8
Spark Plug	Make	AC spark plug	
	Model	AC R44T X	
	Thread (mm)	14	
	Tightening torque (lb. ft.)	25	
	Gap	.060	
Cable	Conductor type	Fiberglass core impregnated with electrical conducting material	
	Insulation type	Rubber with silicone jacket	
	Spark plug protector	Silicone	

Electrical—Suppression

Locations & type	Non-metallic high tension ignition cables
------------------	---

Electrical—Instruments and Equipment

Speedometer	Type	Circular dial with pointer
	Trip odometer (std. opt. N.A.)	Standard
Charge indicator - type		Ammeter
Temperature indicator - type		Electric gage
Oil pressure indicator - type		Bourdon tube gage
Fuel indicator - type		Electric gage
Windshield wiper	Type - Standard	Electric, two-speed
	Type - Optional	None
Windshield washer	Type - Standard	Push-button
	Type - Optional	None
Horn	Type	Vibrator
	Number used	One
	Amp draw (each)	4.5-6.5 @ 12.5V (low note)
Other	tachometer/ Anti-theft Alarm; parking brake warning light and brake failure warning light; Restraint system warning light and buzzer.	

**MVMA Specifications Form
Passenger Car**

Car Line CORVETTE
 Model Year 1975 Issued 9/74 Revised (•) _____

Engine Displacement

V8-350 C.I.

Drive Units—Clutch (Manual Transmission)

Make & type	Chevrolet, single dry-disc Semi-centrifugal	
Type pressure plate springs	Circular plate diaphragm, bent finger design	
Total spring load (lb.)	2450-2750	
No. of clutch driven discs	One	
Clutch facing	Material	Woven type asbestos
	Manufacturer	Chevrolet
	Part Number	3862736
	Rivets/Plate	40
	Rivet size	.183 x .207
	Outside & inside dia.	11.00 x 6.50
	Total eff. area (sq. in.)	123.70
	Thickness	.140
Engagement cushioning method	Flat spring steel between friction rings	
Release bearing	Type & method of lubrication Single row ball, packed and sealed	
Torsional damping	Methods: springs, friction material Coil springs	

Drive Units—Transmissions

Manual 3-speed (std., opt., N.A.)	Not available
Manual 4-speed (std., opt., N.A.)	Standard
Automatic (std., opt., N.A.)	Optional

Drive Units — Manual Trans.

Number of forward speeds	4	4		
Transmission ratios	In first	2.43	2.64	
	In second	1.61	1.75	
	In third	1.23	1.33	
	In fourth	1.00	1.00	
	In reverse	2.35	2.55	
Synchronous meshing, specify gears	All forward gears			
Shift lever location	Floor mounted with console			
Lubricant	Capacity (pt.)	3		
	Type recommended	Meeting Military Specs. MIL-L-2105B		
	SAE viscosity number	Summer	SAE 80	
		Winter	SAE 80	
		Extreme cold	SAE 80	

**MVMA Specifications Form
Passenger Car**

Car Line CORVETTE
Model Year 1975 Issued 9/74 Revised (e) _____

Engine Displacement

RPO L48	V8-350 C.I.	RPO L82
---------	-------------	---------

Drive Units—Automatic Transmission

Trade name	Turbo Hydra-matic	
Type (describe)	3-Speed torque converter	
Selector location	Lever (floor mounted)	
Gear Ratios	P	Park
	R	2.08
	N	Neutral
	D	2.48-1.48-1.00
	L2	2.48-1.48
	L1	2.48
Max. upshift speed - drive range	84	87
Max. kickdown speed - drive range	79	84
Torque convertor	Number of elements	3
	Max. ratio at stall	2.10
	Type of cooling (air, liquid)	Water
	Nominal diameter	12.20
Lubricant	Capacity - refill (pt.)	8
	Type recommended	A suffix A
Special transmission features		

Drive Units—Axle

Type (front, rear)	Rear		
Description	Overhung pinion gear		
Limited Slip differential type	Disc clutches		
Drive Pinion Offset	1.50		
No. of differential pinions	Two		
Pinion adjustment (shim, other)	None		
Pinion bearing adj. (shim, other)	Shim		
Wheel bearing type	Taper roller		
Lubricant	Capacity (pt.)	4	
	Type recommended	Meeting Military Specs. MIL-L-2105B	
	SAE viscosity number	Summer	SAE 80
		Winter	SAE 80
		Extreme cold	SAE 80

Axle Ratio Tooth Combinations (See page 4 for axle ratio usage)

Axle ratio	2.73	3.08	3.36	3.55	3.70
No. of teeth	Pinion	15	13	11	9
	Ring gear	41	40	37	32
Ring Gear O. D.	8.375				

MVMA Specifications Form Passenger Car

Car Line CORVETTE
 Model Year 1975 Issued 9/74 Revised (a) _____

Engine Displacement

--

Drive Units—Propeller Shaft

Number used		One
Type (straight tube, tube-in-tube, internal-external damper, etc.)		Straight tube
Outer diam. x length* x wall thickness	Manual 3-speed trans.	Not available
	Manual 4-speed trans.	2.00 x 29.90 x 0.120
	Automatic transmission	2.00 x 29.50 x 0.095
Inter-mediate bearing	Type (plain, anti-friction)	None
	Lubrication (fitting, prepack)	--
Slip Yoke	Type	Yoke
	Number of teeth	32
	Spline O. D.	1.1750
Universal joints	Make and Mfg. No.	Chevrolet 1330
	Number used	Two
	Type (ball and trunnion, cross)	Cross
	Rear attach. (u-bolt, clamp, etc.)	Strap & Bolt
	Bearing	Type (plain, anti-friction)
Lubric. (fitting, prepack)		Pre-pack
Drive taken through (torque tube or arms, springs)		Torque control arms
Torque taken through (torque tube or arms, springs)		Torque control arms

*Center to center of universal joints, or to centerline of rear attachment.

**MVMA Specifications Form
Passenger Car**

Car Line CORVETTE
 Model Year 1975 Issued 9/74 Revised (e) _____

Body Type And/Or Engine Displacement, Etc.

--

Drive Units — Tires And Wheels (Standard)

TIRES	Size, load range, ply		GR70 x 15B (2 + 2)
	Type (bias, radial, etc.)		Steel belted radial
	Inflation pressure (cold) for recommended max. vehicle load	Front *	20
		Rear *	20
	Rev./mile @ 45 mph		760
WHEELS	Type & material		15 x 8 Stud
	Rim (size & flange type)		N-0.50
	Wheel offset		Stud
	Attachment	Type (bolt or stud)	4.75
		Circle diameter	5 hex nuts 7/16-20 UNF 2-B
		Number & size	Same
Spare wheel (same or other)		Same	

Drive Units — Tires And Wheels (Optional)

Size, load range, ply		Same as above but available in white stripe and/or white lettering
Type (bias, radial, etc.)		
Wheel type & material		
Rim (size, flange type, and offset)		
Size, load range, ply		
Type (bias, radial, etc.)		
Wheel type & material		
Rim (size, flange type, and offset)		
Size, load range, ply		
Type (bias, radial, etc.)		
Wheel type & material		
Rim (size, flange type, and offset)		
Size, load range, ply		
Type (bias, radial, etc.)		
Wheel type & material		
Rim (size, flange type, and offset)		

Brakes — Parking

Type of control		Grip handle control
Location of control		In floor console between seats
Operates on		Rear wheels
If separate from service brakes	Type (internal or external)	Internal
	Drum diameter	6.50
	Lining size (length x width x thickness)	6.78 x 1.25 x 0.175

*Full rated pressure shown; selective tire pressures are contingent on weight of vehicle.

MVMA Specifications Form

Passenger Car

Car Line CORVETTE
 Model Year 1975 Issued 9/74 Revised (•)

Body Type And/Or Engine Displacement

--	--

Brakes — Service

Brake Type (std., opt., N.A.)	Drum	Front	--	
		Rear	--	
	Disc	Front	Standard	
		Rear	Standard	
Self adjusting (std., opt., N.A.)			Standard	
Special Valving	Type (proportion, delay, metering, other)		Metering	
Power Brake (std., opt., N.A.)			Standard	
Booster Type (remote, integral, etc.)			Internal	
Effective area (sq. in.)*			74.92	
Gross lining area (sq. in.)**			86.30	
Swept area (sq. in.)***			498.2	
Drum	Diameter (nominal)	Front	--	
		Rear	--	
	Type and material		--	
Rotor	Outer working diameter		11.75	
	Inner working diameter		8.0	
	Thickness		1.25	
	Material & type (vented/solid)		Cast iron, vented	
Wheel cylinder bore	Front		1.875	
	Rear		1.375	
Master Cylinder	Bore		1.00 manual; 1.12 power	
	Stroke		1.10 manual; 1.139 power	
Pedal arc ratio			5.92:1 manual; 3.51:1 power	
Line pressure at 100 lb. pedal load				
Shoe Clearance	Front		Self adjusting	
	Rear		Self adjusting	
Anti-skid device type (std., opt., N.A.)			Not available	
Brake Lining	Bonded or riveted, rivets/seg.		Riveted	
	Rivet size		.143 x .250	
	Manufacturer		Delco Morgine	
	Part number		5470945	
	Front Wheel	Material		Molded asbestos
		Size (length x width x thickness)	Prim. or out-board	5.40 x 1.93 x 0.41
			Second. or in-board	5.40 x 1.93 x 0.41
		Segments per shoe		One
		Shoe thickness		.500
		Material		Molded asbestos
	Rear Wheel	Material		Molded asbestos
		Size (length x width x thickness)	Prim. or out-board	5.40 x 1.93 x 0.41
			Second. or in-board	5.40 x 1.93 x 0.41
		Segments per shoe		One
Shoe thickness		.500		

* Excludes rivet holes, grooves, chamfers, etc.

** Includes rivet holes, grooves, chamfers, etc.

*** Total swept area for four brakes. (Drum brake: Widest lining contact width for each brake x its contact circumference.) (Disc brake: Square of Outer Working Dia. minus square of Inner Working Dia. multiplied by $\pi/2$ for each brake.)

MVMA Specifications Form Passenger Car

Car Line CORVETTE
 Model Year 1975 Issued 9/74 Revised (•) _____



Steering

Manual (std., opt., NA)		Standard-energy absorbing steering column	
Power (std., opt., NA)		Optional	
Adjustable steering wheel (tilt, swing, other)	Type and description	Tilt and telescopic steering wheel; 3" adjustment	
	(std., opt., NA)	Optional	
Wheel diameter	Manual	15.0	
	Power	15.0	
Turning diameter (feet)	Outside front	Wall to wall (l. & r.)	38.6
		Curb to curb (l. & r.)	37.0
	Inside rear	Wall to wall (l. & r.)	--
		Curb to curb (l. & r.)	--
Manual	Gear	Type	Semi-reversible, recirculating ball nut
		Make	Saginaw Steering
	Ratios	Gear	16.1:1
		Overall	20.2:1 standard; 17.6:1 fast steering
No. wheel turns (stop to stop)		3.4 standard; 2.92 fast steering	
Power	Type (coaxial, linkage, etc.)		Linkage, power pump assisted
	Make		Saginaw Steering
	Gear	Type	Same as manual
		Ratios	Gear
	Overall		17.6:1
	Pump driven by		Crankshaft pulley
No. wheel turns (stop to stop)		2.92	
Linkage	Type		Parallelogram
	Location (front or rear of wheels, other)		Rear
	Drag link (trans. or longit.)		None
	Tie rods (one or two)		Two
Steering Axis	Inclination at camber (deg.)		7.68 @ 5° camber
	Bearings (type)	Upper	Ball stud with non-metallic bearing surface
		Lower	Ball stud with non-metallic bearing surface
	Thrust		None
Whl Align (range at curb wt & preferred)	Caster (deg.)		Manual P1±1/2 Power P2-1/4±1/2
	Camber (deg.)		P3/4±1/2
	Toe-in (outside track inches)		1/8±1/32
Steering spindle & joint type		Steering knuckle with spherical joint	
Wheel Spindle	Diameter	Inner bearing	1.37455±.00025
		Outer bearing	0.84305±/00025
	Thread size		27/32-20 NEF - 3 (modified)
	Bearing type		Taper roller

(a) Rear wheel alignment; Camber N 11/16±1/4
 Toe-in 0±1/32

**MVMA Specifications Form
Passenger Car**

Car Line CORVETTE
Model Year 1975 Issued 9/74 Revised (e) _____

Body Type And/Or Engine Displacement

--

Suspension — General

(See Supplement page for details on Air Suspension)

Provision for car leveling	Front stabilizer shaft	
Provision for brake dip control	Mounting angle at front upper control arm	
Provision for acc. squat control	None	
Special provisions for car jacking	Front: 5" forward of front door opening, under frame Rear: 3" forward of wheel opening, under frame	
Shock absorber front & rear	Type	Direct double acting hydraulic
	Make	Delco
	Piston dia.	1.00
Other special features		

Suspension — Front

Type and description	Independent SLA with coil springs	
Travel	Full Jounce	4.76
	Full Rebound	Manual Strg. 3.19 Power strg. 3.25
Spring	Type (coil, leaf, other)	Coil
	Material	Steel alloy
	Size (coil design height & I.D., bar length x dia.)	10.25 x 3.80; 121.14 x .594
	Spring rate (lb. per in.)	295 (b)
	Rate at wheel (lb. per in.)	97.5 (b)
Stabilizer	Type (link, linkless, frameless)	Link
	Material & bar diameter	HR steel 0.875

Suspension — Rear

Type and description	(a)	
Drive and torque taken through	Torque control arms	
Travel	Full Jounce	3.70
	Full Rebound	3.04
Spring	Type (coil, leaf, ether)	Multi-leaf
	Material	Chrome carbon steel
	Size (length x width, coil design height & I.D., bar length & dia.)	48.60 x 2.25
	Spring rate (lb. per in.)	170 (b)
	Rate at wheel (lb. per in.)	134.4 (b)
	Mounting insulation type	Rubber mounted at differential, vertical loading only at shackle
If leaf	No. of leaves	Nine
	Shackle (comp. or tens.)	Tension
Stabilizer	Type (link, linkless, frameless)	Link (Optional)
	Material & bar diameter	HR steel 0.440
Track bar type		

- (a) Full independent with fixed differential; transverse multi-leaf spring, lateral struts and universally jointed axle shafts
- (b) For base equipped model, springs are computer selected by size and rate according to vehicle weight including optional equipment.

MVMA Specifications Form
Passenger Car

Car Line _____
 Model Year 1975 Issued 9/74 Revised (e) _____

Body Type

Sport Coupe	Convertible	
	Soft Top	Hard Top

Frame

Type and description (Separate frame, unitized frame, partially - unitized frame)

All welded, full length, ladder constructed frame with (5) crossmembers

Body — Miscellaneous Information

Drs. hinged (front, rr.)	Front doors	Front		
	Rear doors	--		
Type of finish (lacquer, enamel, other)		Lacquer		
Hood counterbalanced (yes, no)		No		
Hood release control (internal, external)		Internal		
Vehicle indent No. location		Left-hand windshield pillar		
Engine No. location		Front right side of cylinder block		
Theft protection - type		Lock mounted on steering column; locks steering wheel, @ transmission shift lever and ignition anti-theft		
Vent window control method (crank, friction pivot)	Front	None		
	Rear	--		
Seat cushion type	Front	Bucket, polyurethane padding		
	Rear	--		
	3rd seat	--		
Seat back type	Front	Bucket, polyurethane padding		
	Rear	--		
	3rd seat	--		
Windshield glass type (i.e., single curved - laminated plate)		Curved-laminated plate-tinted		
Side glass type (i.e., curved - tempered plate)		Curved-tempered plate-tinted		
Backlight glass type (i.e., compound curved - tempered plate, three piece)		Flat, tempered plate, tinted	Vinyl plastic	Curved tempered plate
Windshield glass exposed surface area		977.4		
Side glass exposed surface area		800.8		
Backlight glass exposed surface area		392.5	418.0	620.1
Total glass exposed surface area		2170.7	2196.2	2398.3

@ Anti-theft alarm in left front fender, key operated lock arms, doors and hood.

MVMA Specifications Form
Passenger Car

Car Line CORVETTE
 Model Year 1975 Issued 9/74 Revised (•) _____

Body Type

Sport Coupe	Convertible
-------------	-------------

Convenience Equipment

Power windows	Side windows	Optional	
	Vent windows	NA	
	Backlight or tailgate	NA	
Power seats (specify type as well as availability)		NA	
Reclining front seat back (R-L or both)		NA	
Radios (specify type as well as availability)		Optional-AM-FM Push-button, AM-FM, FM stereophonic	
Rear seat speaker		NA	
Power antenna		NA	
Clock		Standard	
Air conditioner (specify type and availability)		Optional-Four-Season (manual control)	
Speed warning device		NA	
Speed control device		NA	
Ignition lock lamp		NA	
Dome lamp		Standard	NA
Glove compartment lamp		Standard	
Luggage compartment lamp		Standard	
Underhood lamp		NA	
Courtesy lamp		Standard	
Map lamp with inside rear view mirror (a)		Optional	
Cornering light lamp		NA	
Rear window defroster (electrically heated)		NA	
Rear window defogger		Optional	

Lamp Height And Spacing*

Height above ground to center of bulb or marker	Headlamp (H125)	Highest**	26.2
		Lowest	26.1
	Tail (H126)	Highest	25.7
		Lowest	25.7
	Sidemarker	Front	17.9
		Rear	19.2
Distance from C/L of car to center of bulb	Headlamp	Inside	11.3
		Outside**	18.0
	Tail	Inside	14.3
		Outside	21.7
	Directional	Front	22.5
		Rear	21.7

*Measured with passenger load and trunk/cargo load specified in Car and Body Dimension section.

**If single headlamps are used enter here.

(a) Includes Headlamps-ON-buzzer.

MVMA Specifications Form Passenger Car

Car Line CORVETTE
 Model Year 1975 Issued 9/74 Revised (•) _____

Model	Vehicle Weights								SHIPPING WEIGHT ** (Pounds)
	CURB WEIGHT * (Pounds)			% PASS. WEIGHT DISTRIBUTION					
	Front	Rear	Total	Pass. In Front		Pass. In Rear			
				Front	Rear	Front	Rear		
2-Dr Sport Coupe 1YZ37	1690	1839	3529	28.0	72.0	-	-	3433	
2-Dr Convertible 1YZ67	1691	1851	3542	28.0	72.0	-	-	3446	

* Reference - SAE Aerospace-Automotive drawing standards, Section E 1.02 (d).

** Shipping weight definition -

**MVMA Specifications Form
Passenger Car**

Car Line CORVETTE
 Model Year 1975 Issued 9/74 Revised (e) _____

Optional Equipment Weights

Equipment Differential Weights	WEIGHT (Pounds)			Remarks
	Front	Rear	Total	
Air Conditioning	+ 65	+ 16	+ 81	With V8-350, RPO L48 & L82 Engines
Power Windows	+ 4	+ 3	+ 7	
Power Brakes	+ 9	+ 1	+ 10	
Power Steering	+ 25	+ 1	+ 26	
Auxiliary Top	+ 10	+ 59	+ 69	
Gymkhana Susp. Frt & Rr	+ 2	0	+ 2	
Radio AM/FM Stereo.	+ 11	+ 7	+ 18	
Radio AM/FM Pushbutton	+ 7	+ 7	+ 14	
Tilt and Telescopic Strg. wheel	+ 3	0	+ 3	
Heavy Duty Battery	0	+ 1	+ 1	
350 Cu. In. V8-L82	+ 10	+ 3	+ 13	
Turbo Hydra-matic Trans.	+ 37	+ 17	+ 54	With L48 & L82 Engines

**MVMA Specifications Form
Passenger Car**

Car Line CORVETTE
 Model Year 1975 Issued 9/74 Revised (•) _____

Body Type

Vehicle Fiducial Marks

Fiducial Mark
Number *

Define Coordinate Location

- Front
- X - Fiducial Mark to Centerline of Car - Front,
Width measurement made from centerline of car to fiducial mark located on top of the front seat adjuster mounting bolt.
 - Y - Fiducial Mark to Vertical Body Zero Line - Front,
Measured horizontally from the body zero line to the front fiducial mark located on top of the front seat adjuster mounting bolt.
 - Z - Fiducial Mark to Horizontal Body Zero Line - Front,
Measured vertically from body zero line to the front fiducial mark located on top of the front seat adjuster mounting bolt.

Rear

There is no rear fiducial point used on the Corvette. A fiducial area replaces, all functions provided by, the rear fiducial point.

Fiducial area - A surface parallel to the horizontal body zero, in this case it is the top surface of the rocker sill as shown on the seating arrangement drawing.

Fiducial
Mark
Number

Coordinate Location of
Fiducial Mark

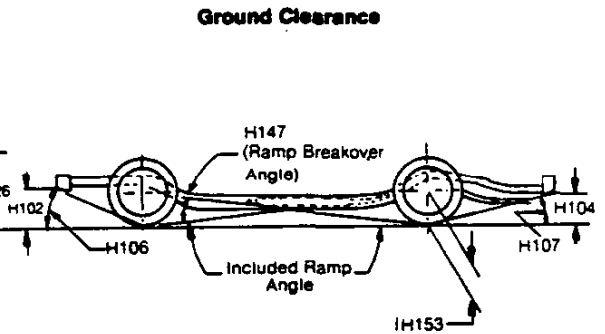
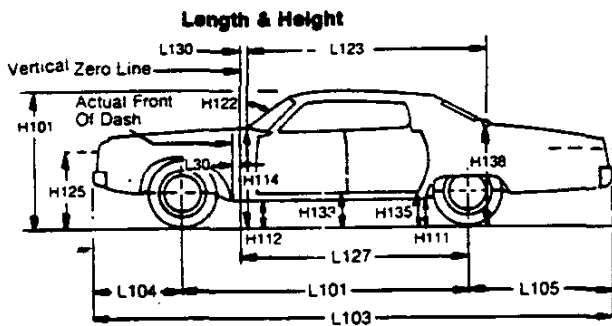
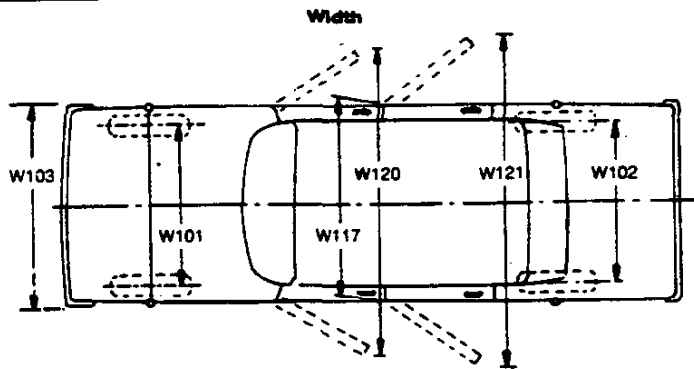
Fiducial Mark
to Ground
at Design

Front	<table border="0"> <tr> <td>X</td> <td>Y</td> <td>Z</td> </tr> <tr> <td>27.02</td> <td>30.91</td> <td>2.23</td> </tr> </table>	X	Y	Z	27.02	30.91	2.23	Coupe & Convertible 9.77
X	Y	Z						
27.02	30.91	2.23						
Rear	<table border="0"> <tr> <td>Z</td> </tr> <tr> <td>5.30</td> </tr> </table>	Z	5.30	Coupe & Convertible 12.85				
Z								
5.30								

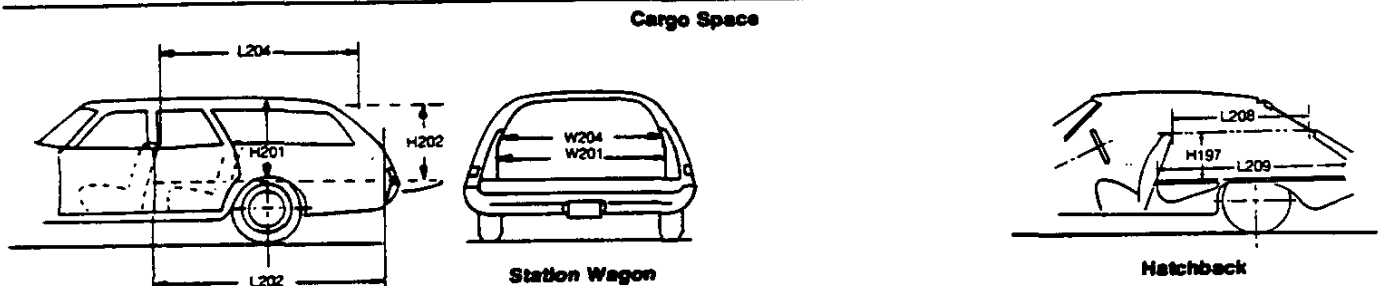
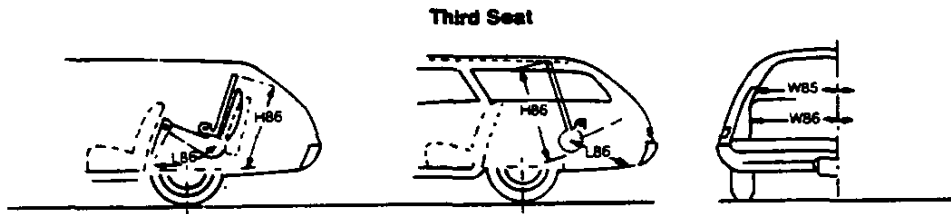
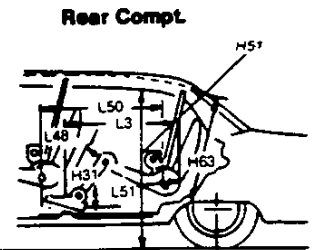
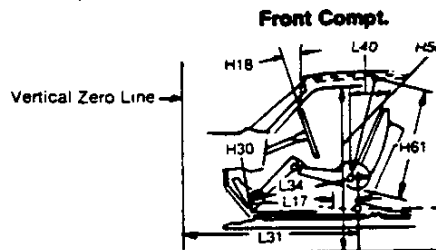
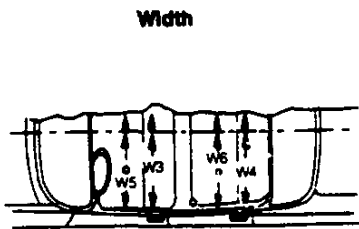
* Reference — SAE Recommended Practice, J182

MVMA Specifications Form Passenger Car

Exterior Car And Body Dimensions — Key Sheet



Interior Car And Body Dimensions — Key Sheet



MVMA Specifications Form Passenger Car

Exterior Car And Body Dimensions — Key Sheet Dimension Definitions

Width Dimensions

- W101 WHEEL TREAD — FRONT. Measured at centerline of tires, with nominal camber, at ground.
- W102 WHEEL TREAD — REAR. Measured at centerline of tires at ground.
- W103 MAXIMUM OVERALL CAR WIDTH. Include bumpers, moldings, or sheet metal protrusions. Measured to outside of metal.
- W117 MAXIMUM BODY WIDTH AT NO. 2 PILLAR. Measured across body at No. 2 pillar, excluding hardware and applied moldings.
- W120 MAXIMUM OVERALL CAR WIDTH, FRONT DOORS OPEN is measured to outside of sheet metal with front doors in maximum hold-open position.
- W121 MAXIMUM OVERALL CAR WIDTH, REAR DOORS OPEN is measured in same manner as W120.

Length Dimensions

- L30 VERTICAL ZERO LINE TO ACTUAL FRONT OF DASH. If actual Front of Dash is to the rear of Body Zero Line, it is identified by a minus (—) sign.
- L101 WHEELBASE.
- L103 OVERALL LENGTH. Include bumper guards if standard equipment.
- L104 OVERHANG — FRONT. Measured from C/L of front wheels to front of car, including bumper guards if standard equipment.
- L105 OVERHANG — REAR. Measured from C/L of rear wheels to rear of car, including bumper guards if standard equipment.
- L123 BODY UPPER STRUCTURE LENGTH AT CAR CENTERLINE. The horizontal dimension from the Cowl Point to the Deck Point.
- L127 VERTICAL ZERO LINE TO CENTERLINE OF REAR WHEELS. A horizontal dimension.
- L130 VERTICAL ZERO LINE TO WINDSHIELD COWL POINT. The horizontal dimension from the vertical zero line to the theoretical intersection of extended windshield glass plane and normal cowl surface.

Height Dimensions

- H101 OVERALL HEIGHT — DESIGN. Measured with the vehicle in Manufacturer's Design Weight attitude.
- H114 COWL POINT TO GROUND. Measured at vehicle centerline.
- H138 DECK POINT TO GROUND. Measured at vehicle centerline.

- H112 ROCKER PANEL TO GROUND — FRONT. The vertical dimension from ground to bottom of rocker panel, excluding flanges. Measured to the outside of sheet metal at foremost point of rocker panel.
- H133 BOTTOM OF DOOR TO GROUND, CLOSED — FRONT is the same point on the door as H132 dimension, with door closed.
- H111 ROCKER PANEL TO GROUND — REAR. The vertical dimension from ground to bottom of rocker panel, excluding flanges. Measured to the outside of sheet metal at front of rear wheel opening.
- H135 BOTTOM OF DOOR TO GROUND, CLOSED — REAR is measured in same manner as H133.
- H122 WINDSHIELD SLOPE ANGLE. The angle between a vertical line and the windshield surface at car centerline. On compound-curved windshields the chord of the arc is used and limited to that section of the windshield comprehended by an 18-inch chord.
- H125 HEADLAMP CENTERLINE TO GROUND is measured vertically to the center of the upper lamp.
- H126 TAILLAMP CENTERLINE is measured vertically from ground to the centerline of the upper bulb.

Ground Clearance Dimensions

- H102 BUMPER TO GROUND — FRONT. Minimum dimension, includes bumper guards.
- H104 BUMPER TO GROUND — REAR. Minimum dimension, includes bumper guards.
- H106 ANGLE OF APPROACH. The angle between ground and a line tangent to the front tire static loaded radius arc and the first point of interference, i.e., bumper, guard, gravel deflector, fender or other component, excluding license plate. This dimension may be determined graphically for reporting purposes.
- H107 ANGLE OF DEPARTURE. The angle between ground and a line tangent to the rear tire static loaded radius arc and the first point of interference, i.e., bumper, guard, gravel deflector, tail pipe, fender or other component, excluding license plate. This dimension may be determined graphically for reporting purposes.
- H147 RAMP BREAKOVER ANGLE. The supplement of included ramp angle (180° minus included ramp angle) over which car can pass without interference; measured with car sitting on a level surface, using lines tangent to arcs of front and rear static loaded radii and intersecting at point on underside of car which defines the smallest angle.
- H153 REAR AXLE DIFFERENTIAL SYSTEM TO GROUND is a minimum clearance.
- H156 MINIMUM RUNNING GROUND CLEARANCE. Location of measurement on the car is to be clearly recorded.

MVMA Specifications Form Passenger Car

Interior Car And Body Dimensions — Key Sheet Dimension Definitions

Front Compartment Dimensions

- L31 H POINT TO VERTICAL ZERO LINE — FRONT is a horizontal dimension.
- H61 EFFECTIVE HEAD ROOM — FRONT. The dimension from H Point to the headlining, plus a constant of 4.0 inches, measured along a line 8° to rear of vertical.
- H75 EFFECTIVE T POINT HEADROOM — FRONT. The arc dimension from the T Point to the headlining plus 30 inches.
- L34 MAXIMUM EFFECTIVE LEG ROOM — ACCELERATOR. Measured along a diagonal line from the Manikin ankle pivot center to the H Point plus a constant of 10.0 inches. For treadle type accelerator pedals, the leg room is measured with the Manikin's right foot on the accelerator pedal and the Manikin Heel Point at Accelerator Heel Point. All other types of accelerator pedals will be measured with the Manikin foot angle set at 87° and the shoe touching the pedal.
- H30 H POINT TO HEEL POINT — FRONT. The vertical dimension from the H Point to the Accelerator Heel Point.
- L17 H POINT TRAVEL. The horizontal dimension between the H Point in the most forward and rearward seat positions.
- W3 SHOULDER ROOM—FRONT. The minimum dimension measured laterally between the trimmed surfaces on the "X" plane through the H-point—front within the belt line to 10 inches above the H-point—front.
- W5 HIP ROOM—FRONT. The minimum dimension measured laterally between the trimmed surfaces on the "X" plane through the H-point—front within 1.0 inches below and 3.0 inches above the H-point height and 3.0 inches fore and aft of the H-point.
- H50 UPPER BODY OPENING TO GROUND — FRONT. The vertical dimension from a point on the trimmed body opening to the ground, measured at the H Point station.
- H18 STEERING WHEEL ANGLE — VERTICAL. The angle measured from a vertical to the surface plane of the steering wheel.
- L40 BACK ANGLE — FRONT. The angle measured between a vertical line through the H-Point-Front and the torso line.

Rear Compartment Dimensions

- L50 H POINT COUPLE DISTANCE. The horizontal dimension from the front seat H Point to the rear seat H Point.
- H63 EFFECTIVE HEAD ROOM — REAR. The dimension from the H Point to the headlining, plus a constant of 4.0 inches, measured along a line 8° to rear of vertical.
- H76 EFFECTIVE T POINT HEADROOM — REAR. Measured in the same manner as H75.
- L51 MINIMUM EFFECTIVE LEG ROOM — REAR. Measured along a diagonal line from the ankle pivot center to the H

Point plus a constant of 10.0 inches, with the foot positioned to the nearest interference between the seat structure and toe, instep or lower leg.

- H31 H POINT TO HEEL POINT — REAR. The vertical dimension from the H Point to the Manikin Heel Point on the depressed floor covering.
- L48 KNEE CLEARANCE. The minimum dimension measured from the knee pivot center to the back of front seatback minus 2.0 inches.
- L3 REAR COMPARTMENT ROOM. The horizontal dimension from the back of front seat to front of rear seat back at height tangent to the top of rear seat cushion.
- W4 SHOULDER ROOM—SECOND. The minimum dimension measured laterally between trimmed surfaces on the "X" plane through the H-point—second within 10.0-16.0 inches above the H-point—second.
- W6 HIP ROOM—SECOND. Measured in the same manner as W5.
- H51 UPPER BODY OPENING TO GROUND — REAR. The vertical dimension from a point on the trimmed body opening to the ground, measured 13.0 inches forward of the H Point.

Luggage Compartment Dimensions

- V1 LUGGAGE CAPACITY — USABLE. The total luggage compartment luggage capacity in cubic feet with the tire and tools in place.
- H195 LIFTOVER HEIGHT. Vertical dimension from the highest point on the luggage compartment lower opening to ground, excluding corner radii.

Station Wagon — Third Seat Dimensions

- W85 SHOULDER ROOM—THIRD. Measured in the same manner as W4.
- W86 HIP ROOM—THIRD. Measured in the same manner as W5.
- L86 EFFECTIVE LEG ROOM — THIRD SEAT. Measured along a diagonal line from ankle pivot center to H Point plus a constant of 10.0 inches. With rear-facing third seat, foot is positioned in foot well or to nearest interference with rear end or rear closure.
- H86 EFFECTIVE HEAD ROOM — THIRD SEAT. The dimension from H Point to the headlining, plus a constant of 4.0 inches. Measured along a line 8° to rear of vertical.
- H89 EFFECTIVE T POINT HEADROOM — THIRD SEAT. Measured in the same manner as H75.

MVMA SPECIFICATIONS FORM
Passenger Car

Interior Car And Body Dimensions — Key Sheet
Dimension Definitions

Station Wagon — Cargo Space Dimensions

- L202 CARGO LENGTH AT FLOOR — FRONT SEAT. The horizontal dimension, measured at the floor level from the rear of the front seat back to the normal inside limiting interference on the tailgate, on the car centerline.
- L204 CARGO LENGTH AT BELT — FRONT SEAT. The horizontal dimension measured from the top rear of front seat back to a vertical extension line from the normal inside limiting interference at the top of the tailgate, on the car centerline.
- W201 CARGO WIDTH — WHEELHOUSE. The minimum horizontal dimension, measured between wheel housings at floor level.
- W204 OPENING WIDTH AT BELT. The minimum horizontal dimension, measured between the nearest normal inside limiting interferences of the rear opening at the top of the tailgate.
- H201 MAXIMUM CARGO HEIGHT. The maximum vertical dimension, measured from the top of the floor covering to the headlining, on the car centerline.
- H202 REAR OPENING HEIGHT. The vertical dimension measured from the top of the floor covering to the normal inside limiting interference at the top of the rear opening, on the car centerline, with both tail and liftgates fully open.
- V2 CARGO VOLUME INDEX BEHIND FRONT SEAT. The total volume in cubic feet above the normal load floor and behind the front seat with the liftgate and tailgate closed.

$$\frac{W4 \times L204 \times H201}{1728}$$

Hatch Back — Cargo Space Dimensions

All hatch back cargo dimensions are to be taken with the front seat in full down and rear position, and the rear seat folded down. The hatch back door is in the closed position (For electrically adjusted seats, see manufacturer's specifications for Design 'H' Point).

- H197 FRONT SEAT BACK TO LOAD FLOOR HEIGHT. The dimension measured vertically from the horizontal tangent to the top of the seat back to the undepressed floor covering.
- L208 CARGO LENGTH AT FRONT SEAT BACK HEIGHT. The horizontal dimension measured from the top rear of front seat back to the inside limiting interference of the hatch back door on the car centerline.
- L209 CARGO LENGTH AT FLOOR — FRONT SEAT. The horizontal dimension measured at floor level from the rear of the front seat back to the normal limiting interference of the hatch back door on the car centerline.
- V3 HATCH BACK — CARGO INDEX VOLUME. Hatch back cargo index volume is to be determined by the following formula, and expressed in terms of cubic feet.

$$\frac{L208 + L209}{2} \times W4 \times H197$$

1728

MVMA Specifications Form

Passenger Car

Index

Subject	Page No.	Subject	Page No.
Alternator	15	Kingpin (Steering Axis)	23
Automatic Transmission	19	Lamp height and spacing	26
Axis Sining	23	Legroom	3, 4
Axle Rear	5, 19	Lengths — Car and Body	2
Battery	15	Lifters, valve	9
Bearings, Engine	7, 8, 10	Linings — Clutch, Brake	18, 22
Belts — Fan, Generator, Water Pump	12	Lubrication	10, 18, 19, 20
Brakes — Parking, Service	21, 22	Luggage Compartment	3
Cable — Ignition	17	Models	1
Camber	23	Motor, Starting	15
Camsnaf	8	Muffler	10
Capacities		Passenger Capacity	1
Cooling System	12	Passenger Weight Distribution	27
Fuel Tank	11	Piston Pins & Rings	6, 7
Lubricants		Pistons	6, 7
Engine Crankcase	10	Power Brakes	22
Transmission	18, 19	Power Steering	23
Rear Axle	19	Power Teams	5
Car Models	1	Propeller Shaft, Universal Joints	20
Car and Body Dimensions		Pumps — Oil, Fuel	10, 11
Width	2	Water	12
Length	2	Radiator — Cap, Hoses	12
Height	2	Ratios — Axle	5, 19
Ground Clearance	2	Compression	5, 6
Front Compartment	3	Steering	23
Rear Compartment	3	Transmission	18, 19
Luggage Compartment	3	Rear Axle	5, 19
Station Wagon — Third Seat	4	Regulator — Generator	15
Station Wagon — Cargo Space	4	Rims	21
Hatchback — Cargo Space	4	Rings, Piston	7
Carburetor	5, 11, 14	Rods — Connecting	7
Caster	23	Seats	4
Choke, Automatic	11	Shock Absorbers, Front & Rear	24
Clutch — Pedal Operated	18	Spark Plugs	17
Coil, Ignition	17	Speedometer	17
Connecting Rods	7	Springs — Front & Rear Suspension	24
Convenience Equipment	26	Stabilizer (Sway Bar) — Front & Rear	24
Cooling System	12	Starting System	15
Crankshaft	8	Steering	23
Cylinders and Cylinder Head	6	Suppression — Ignition, Radio	17
Dimension Definitions		Suspension — Front & Rear	24
Key Sheet — Exterior	30, 31	Tail Pipe	10
Key Sheet — Interior	30, 32, 33	Theft Protection	25
Distributor — Ignition	16	Thermostat, Cooling	12
Electrical System	15, 16, 17	Timing — Valve, Ignition	9, 16
Emission Controls	13, 14	Tires	21
Engine		Toe in	23
Bore, Stroke, Type	6	Torque Converter	19
Compression Ratio	5, 6	Torque — Engine	5
Displacement	5, 6, 11	Transmission — Types	5, 11, 18, 19
Firing Order, Cylinder Numbering	6	Transmission — Automatic	5, 11, 18, 19
General Information, H.P. & Torque	5, 6	Transmission — Manual	5, 11, 18
Identification Number Location	25	Transmission — Ratios	18, 19
Lubrication	10	Tread	2
Power Teams	5	Trunk Luggage Capacity	3
Exhaust System	10	Turning Diameter	23
Equipment Availability	26	Unitized Construction	25
Fan, Cooling	12	Universal Joints, Propeller Shaft	20
Fiducial Marks	29	Valves — Intake & Exhaust	9
Filters — Engine Oil, Fuel System	10, 11	Vehicle Identification Number	25
Frame	25	Voltage Regulator	15
Front Suspension	24	Water Pump	12
Fuel Fuel Pump, Fuel System	6, 11, 14	Weights	27, 28
Fuel Injection	11	Wheel Alignment	23
Generator and Regulator	15	Wheelbase	2
Glass	25	Wheels & Tires	1
Height (Lamps)	26	Wheel Spindle	1
Headroom — Body	3, 4	Widths — Car and Body	25
Heights — Car and Body	2	Windshield	17
Horns	17	Windshield Wiper and Washer	17
Horsepower — Brake	5		
Ignition System	16, 17		
Inflation — Tires	21		
Instruments	17		